



AUTOMATIC ENTRANCE SPECIALISTS

CE

OLLYE

IP1919 - rev. 2007-03-07



- ① Manuale di installazione e manutenzione per serramenti scorrevoli ad una anta.
- ② Installation and maintenance manual for one-wing door and window sliding frames.
- ③ Manuel d'installation et d'entretien pour menuiseries coulissantes à un vantail.
- ④ Installations- und Wartungshandbuch für einflügelige Schiebeelement.
- ⑤ Manual de instalación y mantenimiento para carpinterías corredizas de puerta simple.
- ⑥ Manual de instalação e manutenção para ferragens deslizantes de uma portinhola.



DITEC S.p.A.
Via Mons. Banfi, 3 - 21042 Caronno Pertusella (VA) - ITALY
Tel. +39 02 963911 - Fax +39 02 9650314
www.ditec.it - ditec@ditecva.com

ISO 9001
Cert. n° 0957

Vista in pianta - Plan view

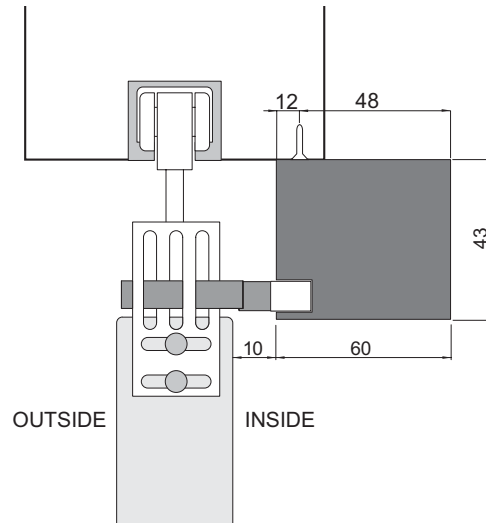
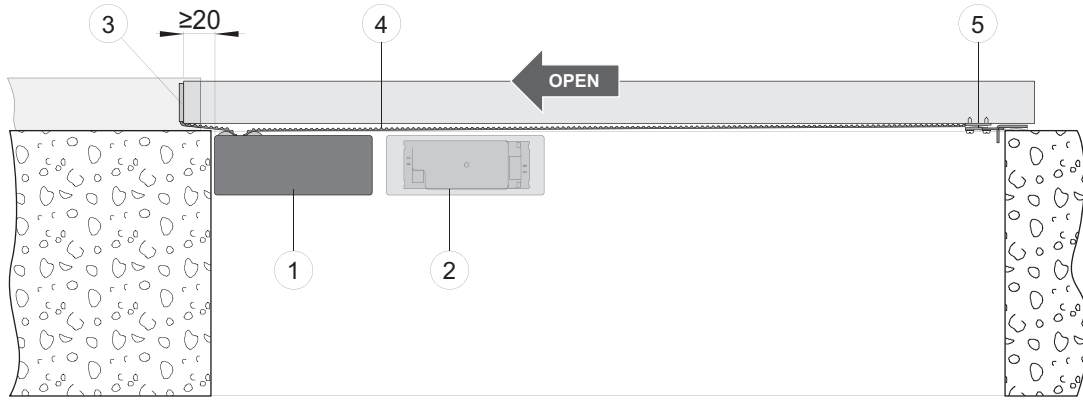


Fig. 1

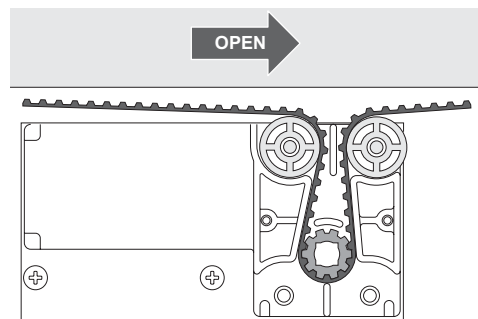
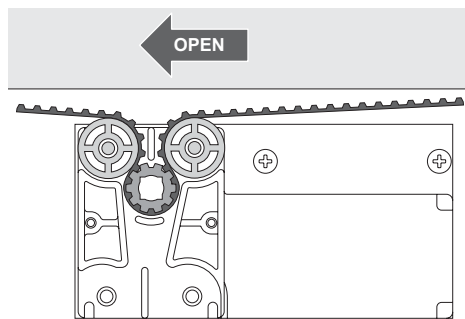


Fig. 2

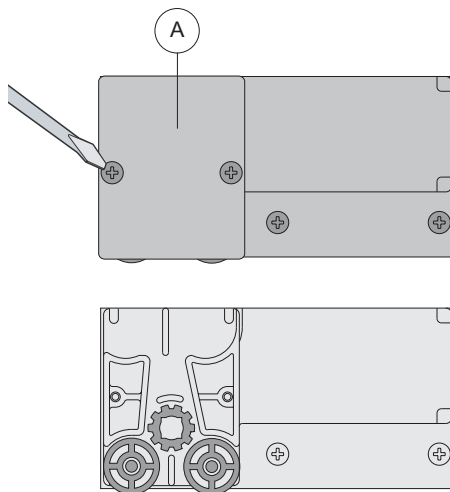


Fig. 3

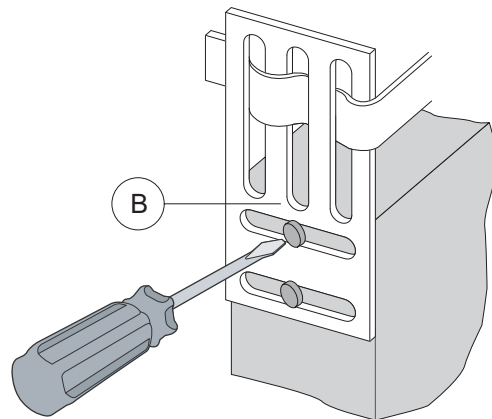


Fig. 4

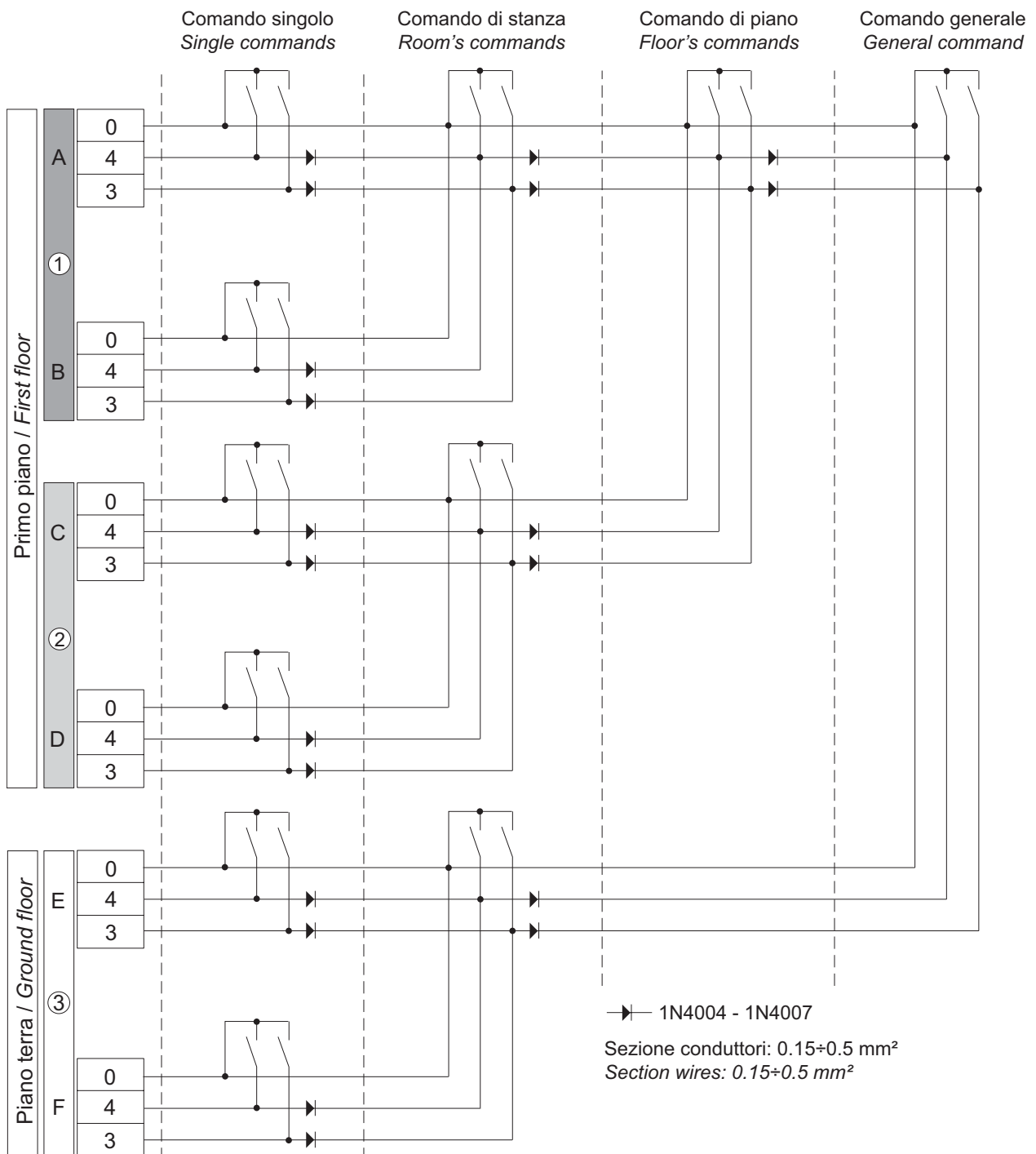
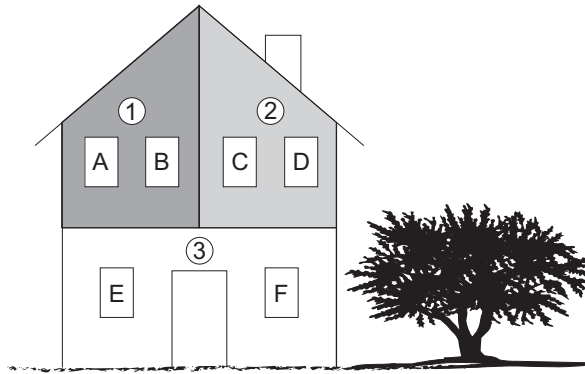



Fig. 5



GENERAL SAFETY PRECAUTIONS

 This installation manual is intended for professionally competent personnel only.

Installation, electrical connections and adjustments must be performed in accordance with Good Working Methods and in compliance with applicable regulations. Before installing the product, carefully read the instructions. Bad installation could be hazardous.

The packaging materials (plastic, polystyrene, etc.) should not be discarded in the environment or left within reach of children, as these are a potential source of hazard. Before installing the product, make sure it is in perfect condition.

Do not install the product in an explosive environment and atmosphere: gas or inflammable fumes are a serious hazard risk.

Before installing the motors, make all structural changes relating to safety clearances and protection or segregation of all areas where there is risk of being crushed, cut or dragged, and danger areas in general.


Make sure the existing structure is up to standard in terms of strength and stability.

The motor manufacturer is not responsible for failure to use Good Working Methods in building the frames to be motorised or for any deformation occurring during use.


The safety devices (photocells, safety edges, emergency stops, etc.) must be installed taking into account: applicable laws and directives, Good Working Methods, installation premises, system operating logic and the forces developed by the motorised door or gate.

The safety devices must protect any areas where the risk exists of being crushed, cut or dragged, or where there are any other risks generated by the motorised door or gate. Apply hazard area notices required by applicable regulations.

Each installation must clearly show the identification details of the motorised door or gate.

 Before making power connections, make sure the plate details correspond to those of the power mains.

Fit an omnipolar disconnection switch with a contact opening gap of at least 3 mm. Make sure an adequate residual current circuit breaker and overcurrent cutout are fitted upstream of the electrical system. When necessary, connect the motorised door or gate to a reliable earth system made in accordance with applicable safety regulations. During installation, maintenance and repair, interrupt the power supply before opening the lid to access the electrical parts.

 To handle electronic parts, wear earthed antistatic conductive bracelets.

The motor manufacturer declines all responsibility in the event of component parts being fitted that are not compatible with the safe an correct operation.

For repairs or replacements of products only original spare parts must be used.

The installer shall provide all information relating to automatic, manual and emergency operation of the motorised door or gate, and provide the user with operating instructions.

MACHINERY DIRECTIVE

Pursuant to Machine Directive (98/37/EC) the installer who motorises a door or gate has the same obligations as a machine manufacturer and shall:

- prepare technical documentation containing the documents indicated on Schedule V of the Machine Directive; (The technical documentation shall be kept and placed at the disposal of competent national authorities for at least ten years starting on the date of manufacture of the motorised door);
- draw up the EC declaration of conformity according to Schedule II-A of the Machine Directive;
- affix the CE mark on the motorised door pursuant to para. 1.7.3 of Schedule I of the Machine Directive.

For more details, refer to the "Guidelines for producing technical documentation" available on Internet at the following address: www.ditec.it

OPERATING INSTRUCTIONS

Service class: 2 (minimum 10÷5 years of working life with 10÷20 cycles per day).

Applications: LIGHT (For single family type installations with infrequent vehicle or pedestrian access).

- The operating performance specifications refer to the recommended weight (about 2/3 of maximum allowed weight). Use with maximum allowed weight could reduce the above performance specifications.
- The service class, operating times and number of consecutive cycles are merely approximate. These have been statistically determined in average conditions of use and are not certain for each single case. They refer to the period when the product operates without the need for special maintenance.
- Each automatic entrance features variable factors such as: friction, balancing and environmental conditions that can substantially change both the duration and operating quality of the automatic entrance or part of its components (including automatic system). It is up to the installer to adopt adequate safety coefficients for each single installation.

MANUFACTURER'S DECLARATION

(Directive 98/37/EC, Annex II, sub B)

Manufacturer: DITEC S.p.A.

Address: via Mons. Banfi, 3

21042 Caronno P.IIa (VA) - ITALY

Herewith declares that the electromechanical automatic system OLLYE

- is intended to be incorporated into machinery or to be assembled with other machinery to constitute machinery covered by Directive 98/37/EC;
- is in conformity with the provisions of the following other EEC directives:
 - Electromagnetic Compatibility Directive 89/336/EEC;
 - Low Voltage Directive 73/23/EEC;

and furthermore declares that it is not allowed to put the machinery into service until the machinery into which it is to be incorporated or of which it is to be a component has been found and declared to be in conformity with the provisions of Directive 98/37/EC and with national implementing legislation.

Caronno Pertusella,
11-09-2006

Fermo Bressanini
Bressanini
(President)

1. TECHNICAL DETAILS

	OLLYE
Power supply	230 V~ / 50-60 Hz <input type="checkbox"/>
Absorption	0,2 A
Motor power supply	24 V= / 1,8 A
Motor torque	50 N
Speed	0,1 m/s
Max load	80 Kg
Max run	3,5 m
Service life	2 = LIGHT
Intermittence	S2 = 7 min, S3 = 15%
Temperature	-20 °C / +55 °C
Degree of protection	IP20
Control panel	RO2H
Radio frequency	433,92 MHz

2. REFERENCE TO ILLUSTRATIONS

The given operating and performance features can only be guaranteed with the use of DITEC accessories and safety devices.

2.1 Standard installation (fig. 1)

- [1] Gearmotor (1JE)
- [2] Control panel (RO2H)
- [3] Belt connection bracket
- [4] Transmission belt
- [5] Blocking device (OKAMCJE)

3. INSTALLATION

Unless otherwise specified, all measurements are expressed in millimetres (mm).

3.1 Installation of the automation

- Check the installation situation: right-hand opening or left-hand opening (fig. 2).
- Unscrew plate [A] and insert the belt as shown in fig. 2. Close the plate and tighten the screws.
- Fasten the belt connection bracket [B] to the door wing (fig. 4).
- Fasten the automation to the wall close to the opening side of the door wing and fasten the belt to the bracket.

Note: the stroke of the door wing must be limited by suitable stops.

Attention: check that there is at least 20 mm between the gearmotor and the belt connection bracket with the door wing completely open or closed.

- Manually tension the belt. Make any possible adjustments on the door, the belt connection bracket or the wall fixing screws.

4. ELECTRICAL CONNECTIONS

The electrical connections and activation are illustrated in the control panel installation manual.

4.1 Radio programming

Follow the instructions in the related manual to program the radio transmitter.

4.2 Single and centralised multilevel commands

The shutters of the house can be opened and closed with a single command, or by means of centralised multilevel commands (room commands, floor or zone commands and general commands), by making the connections indicated in fig. 5.

5. MAINTENANCE SCHEDULE (every 6 months)

Turn off the power.

- Check that the fixing screws are holding (automation, arms).
- Check all electrical connections.

Turn on the power.

- Check that the automation is working correctly and that the shutters are moving correctly.

ATTENTION: For spare parts, see the spares price list.

All right reserved

All data and specifications have been drawn up and checked with the greatest care. The manufacturer cannot however take any responsibility for eventual errors, omissions or incomplete data due to technical or illustrative purposes.