

Obbi Silver Luxo

external automations
for swing gates



External Automation

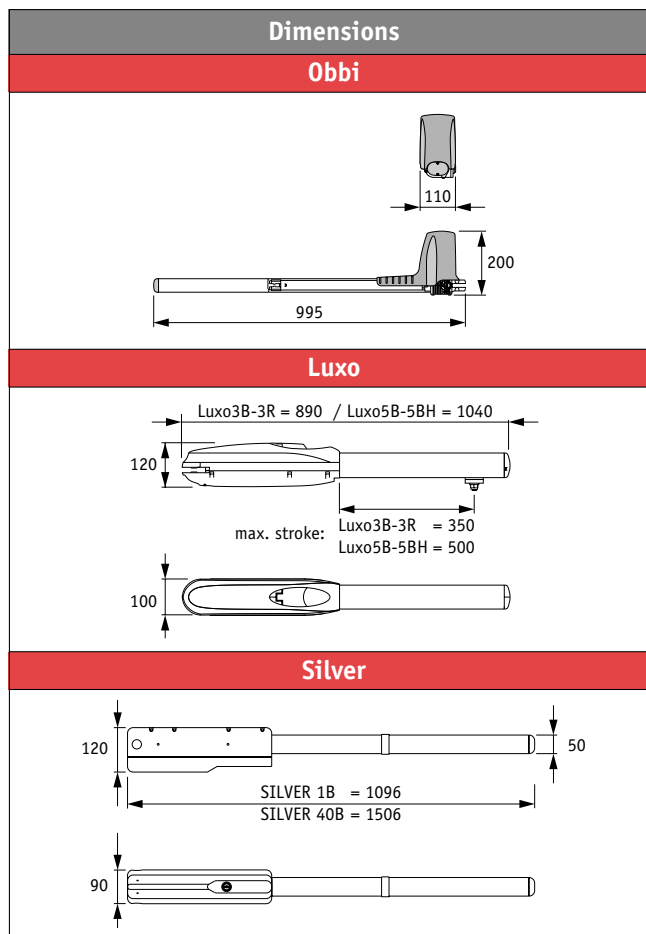
Swing gates require great attention as regards their motorization because they are exposed to bad weather and frequent use.

In order to offer the best possible solution, during the designing stage of the automatic system it is necessary to consider in detail the type of use it will be subjected to as well as the type of gate frame.

DITEC offers a complete range of products designed to allow easy installation of gates of any size and to withstand heavy duty.

Product Range

Frequent use
Obbi 3BH
Frequent use
Silver 1B – Silver 40B
Heavy duty
Luxo 3R - Luxo 3B Luxo 5B – Luxo 5BH



Technical specifications

	OBBI 3BH	SILVER 1B	SILVER 40B	LUXO 3R	LUXO 3B	LUXO 5B	LUXO 5BH
Description: Electromechanical Actuator	non reversible suitable for wing up to 3 m	non reversible suitable for wing up to 3.5 m	non reversible suitable for wing up to 5 m	reversible suitable for wing up to 3.5 m	non reversible and reversible suitable for wing up to 3.5 m	non reversible and reversible suitable for wing up to 5 m	non reversible and reversible suitable for wing up to 5 m
Maximum capacity	250 kg x 1.5 m 150 kg x 3 m	300 kg x 2.5 m 200 kg x 3.5 m	400 kg x 2.5 m 150 kg x 5 m	350 kg x 2.5 m 250 kg x 3.5 m	350 kg x 2.5 m 250 kg x 3.5 m	500 kg x 3 m 250 kg x 5 m	500 kg x 3 m 250 kg x 5 m
Type of use	frequent	frequent	frequent	heavy duty	heavy duty	heavy duty	heavy duty
Intermittency	S2 = 30 min S3 = 50%	S2 = 15 min S3 = 25%	S2 = 15 min S3 = 25%	S2 = 20 min S3 = 50%	S2 = 20 min S3 = 50%	S2 = 20 min S3 = 50%	S2 = 20 min S3 = 50%
Motor power supply	24 V=	230 V~ / 50 Hz	230 V~ / 50 Hz	230 V~ / 50 Hz	230 V~ / 50 Hz	230 V~ / 50 Hz	24 V=
Insulation class	class 3	class 1	class 1	class 1	class 1	class 1	class 3
Input	3 A	1.1 A	1.1 A	1.1 A	1.1A	1.1 A	12 A
Thrust	1500 N	3000 N	3000 N	3000 N	3000 N	3000 N	3000 N
Opening time	25 s/90°	22 s/90°	38 s/90°	22 s/90°	22 s/90°	32 s/90°	20 s/90°
Max stroke	350 mm	280 mm	480 mm	350 mm	350 mm	500 mm	500 mm
Maximum opening	110°	100°	120°	110°	110°	120°	120°
Release for manual opening	by key	by key	by key	by lock on door	by key	by key	by key
Operating temperature	-20°C / +55°C	-20°C / +55°C	-20°C / +55°C	-20°C / +55°C	-20°C / +55°C	-20°C / +55°C	-20°C / +55°C
Protection degree	IP 54	IP 45	IP 45	IP 24D	IP 24D	IP 24D	IP 24D
Product dimensions	110x200x995	90x120x1096	90x120x1506	100x120x890	100x120x890	100x120x1040	100x120x1040
Control panel	D2H LOGIC C22S LOGIC C22	E2 LOGIC A21 LOGIC A22	E2 LOGIC A21 LOGIC A22	LOGIC A21 E2 - LOGIC A22	E2 LOGIC A21 LOGIC A22	E2 LOGIC A21 LOGIC A22	LOGIC C22

Obbi

► Elegant design and versatile applications

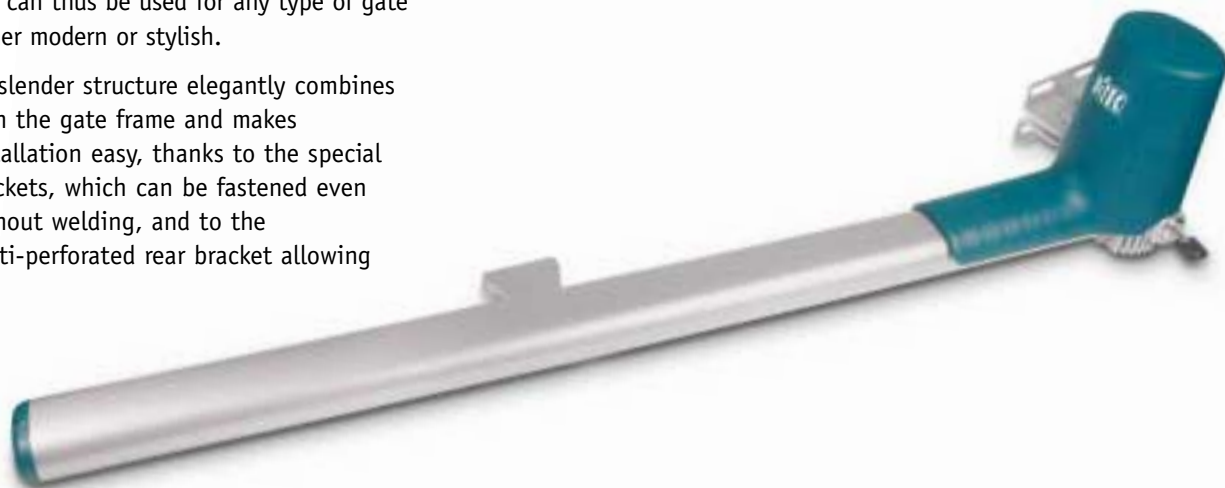
Gates for residential application often require automation which not only guarantee a long-lasting quality of the product, but also perfectly combine with the beauty of the gate.

Obbi's refined and simple design fully meets the above-mentioned requirement and can thus be used for any type of gate either modern or stylish.

Its slender structure elegantly combines with the gate frame and makes installation easy, thanks to the special brackets, which can be fastened even without welding, and to the multi-perforated rear bracket allowing

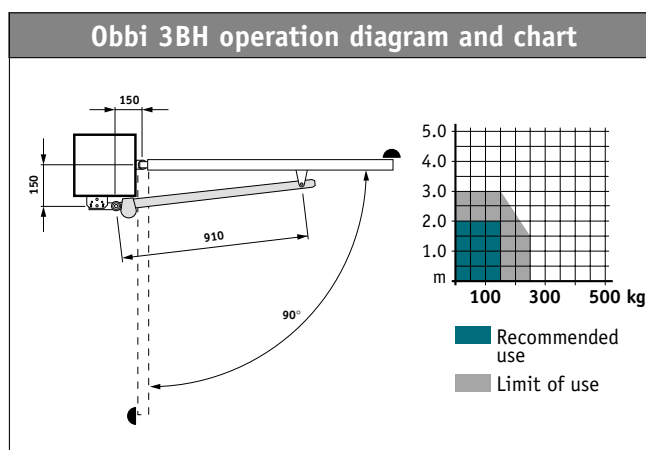
you to locate the bracket in the ideal operating position, simply by changing the arrangement of the holes.

In case of power failure it is always possible to operate manually through the key release and automatically if a control panel has a battery back up installed.



► Specifications

- High safety guaranteed by the 24V DC low voltage power supply
- Refined and simple design
- Shaft cover in anodized aluminium
- Adjustable to any gate frame, either modern or stylish
- Suitable for moving gates with small posts
- Easily accessible key release system
- Power supply by battery back up in case of power failure



Specific accessories

- Optional battery back up device

Luxo

▶ The privilege of Beauty. Solid and durable, for heavy use.

Elegant and refined, Luxo was born to be admired and desired.

Its modern and futurist structure is characterized by a soft combination of round and smooth forms, it is suitable for any type of gate frame.

It has been designed to comply with the most solid and reliable DITEC mechanisms.

Aluminium, the noble material it is made of, makes it look light and clean;

this feature will last in time despite bad climatic conditions, also thanks to its additional polyester coating.

Every detail has been studied and designed with passion and care.



▶ No problem in case of power failure

Thanks to the manual lock release, which is located under the elegant and easily accessible plastic cover, any emergency situation due to power vice failure can be promptly solved.

▶ Easy installation

Under the upper casing all electric connections are orderly gathered to make both installation and maintenance easy and quick.

▶ Total reliability always

System and power supply connection wires are located in a specially designed raceway to avoid scratching, torsion and wear during operation and preventing any possible damage.

Brackets are made of galvanized steel while rotation bushes are made of hardened steel to make sliding easy and avoid system wear.

Specific accessories

- ▶ Battery back up in case of power failure (5BH)
- ▶ Electric locks



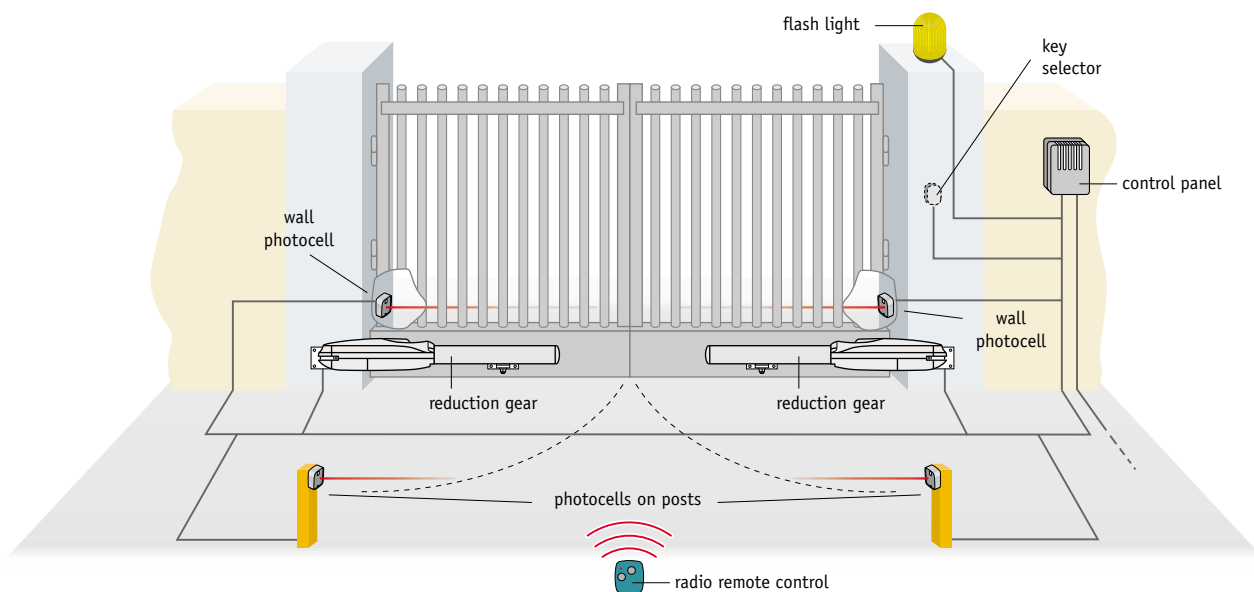
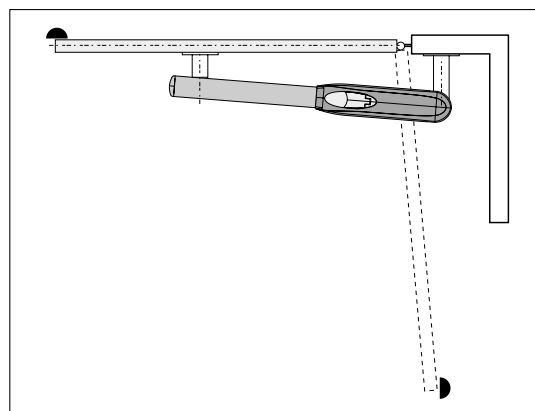
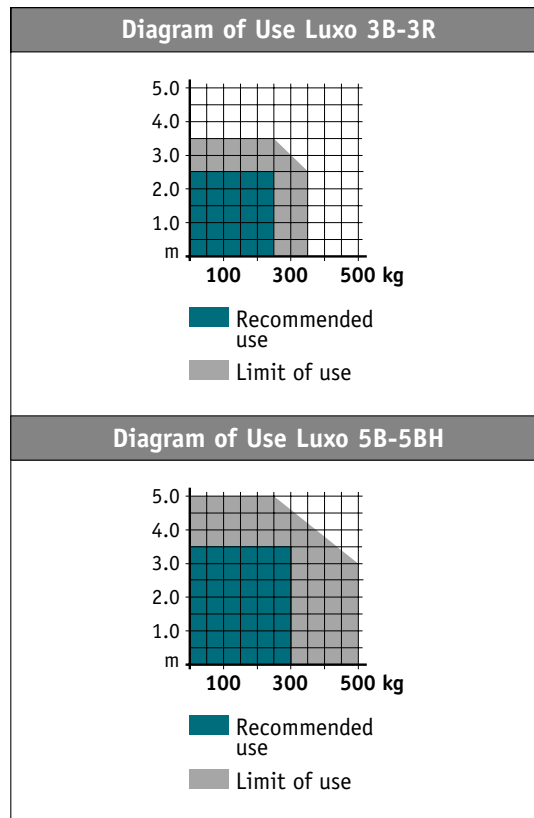
Elegant design even for details

All fixing screws are made of stainless steel to be weatherproof and preserve the beauty of the whole automation system over time. However, they are not exposed to view thanks to the precious accuracy on the designer's part. Nothing is unintentional.

Sturdy, durable and reliable, it silently works to be admired and desired.



Find out about its special features in the table below.



Silver

▶ Refined design and sturdy structure

Superior design and powder-coated casing resistant to any weather conditions.

A simple key release provides for uncoupling between motor and reduction gear and allows easy manual operation of the gate wings in the event of power failure.

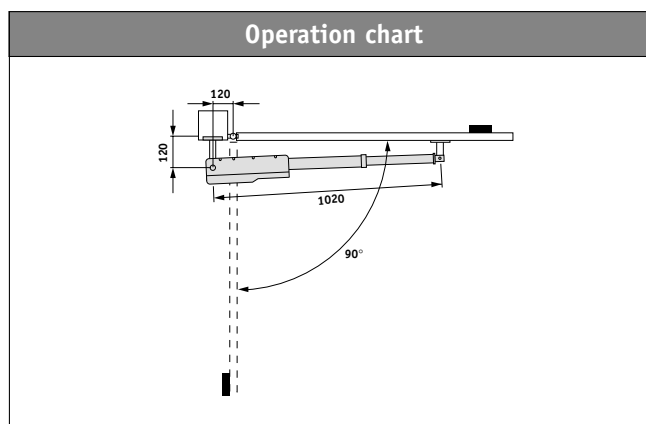
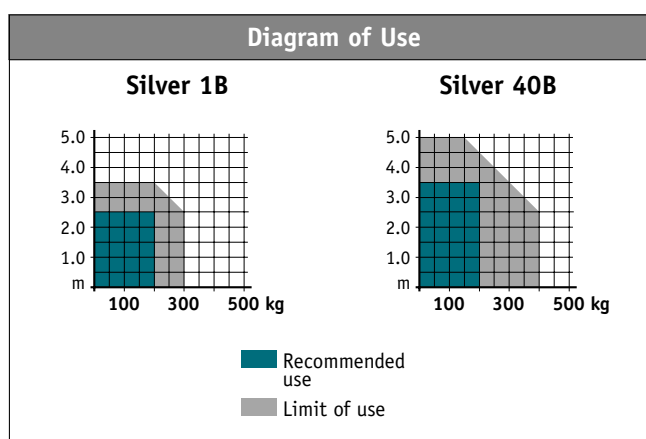


▶ Technical specifications


- ▶ Superior design and attractive colour
- ▶ Aluminium die-cast housings with epoxide powder coating
- ▶ Total reliability in any operating condition
- ▶ Easily accessible key release device

Specific Accessories

- ▶ Silver A130: fork to widen the opening by 10° (only for Silver 40B)
- ▶ Silver PF: plates with adjustable fixing brackets for installation without welding
- ▶ Electric locks



Main functions of the automation system and control panels

	LUXO 3R-3B-5B SILVER 1B-40B			OBBI 3BH		LUXO 3BH OBBI 3BH
	E2	LOGIC A21	LOGIC A22	D2H	LOGIC C22S	LOGIC C22
Description: Control panel	for 1 or 2 230 V~ motors with incorporated radio	for 1 230 V~ motor (multifunction)	for 2 230 V~ motors (multifunction)	for 1 or 2 24 V= motors	for 1 or 2 24 V= motors	for 1 or 2 24 V= motors
Mains power supply	230 V~ / 50 Hz	230 V~ / 50 Hz	230 V~ / 50 Hz	230 V~ / 50 Hz	230 V~ / 50 Hz	230 V~ / 50 Hz
Batteries for operation in case of a power break				 (optional)		
Number of motors	1 or 2	1	2	1 or 2	1 or 2	1 or 2
Motor power supply	230 V~ / 2 x 2.5 A	230 V~ / 5 A	230 V~ / 2 x 2.5 A	24 V= / 2 x 4.5 A	24 V= / 2 x 4.5 A	24 V= / 2 x 12 A
Accessories power supply	24 V= / 0.5 A	24 V= / 0.3 A	24 V= / 0.3 A	24 V= / 0.3 A	24 V= / 0.3 A	24 V= / 0.3 A
Electric lock	12 V= / 15 W	24 V= / 1.2 A	24 V= / 1.2 A	24 V= / 1.2 A	24 V= / 1.2 A	24 V= / 1.2 A
Flashing light indicates automatic closing for 3 seconds	230 V	230 V and 24 V	230 V and 24 V	24 V	24 V	24 V
Open automation indicator signals total closing failure	from limit switch and analogue	from limit switch and analogue	from limit switch and analogue	analogue	analogue	analogue
Courtesy light	 (with 1 motor only)					
Limit switch prearrangement			 (opening only)		 (deceleration)	 (deceleration)
Force adjustment	electronic	transformer	transformer			
ODS - Obstacle detecting system causes stop or reversal of operation if an obstacle is found)						
Speed adjustment permits adjusting speed to achieve best operation						
Braking / Deceleration for best approach						
Operation time adjustment						
Opening command	 (with dip-switch)					
Partial opening command	 (remote only)					
Closing command						
Timed automatic closing						
Step-by-step command						
Hold-to-run command						
Stop safety device						
Reverse movement safety device						
Autotest function for SICUR self-controlled safety devices						
NIO - Antifreeze system for maintaining motor efficiency even at low temperatures						
Operating temperature	-20°C / +55°C	-20°C / +55°C	-20°C / +55°C	-20°C / +55°C	-20°C / +55°C	-20°C / +55°C (+5°C / +40°C batteries)
Protection degree	IP55	IP55	IP55	IP55	IP55	IP55
Product dimensions	180x250x100	180x250x100	225x320x120	180x250x100	225x320x120	225x320x120

▶ Accessories

DITEC wide range of accessories offers access systems with several operation and control alternatives.



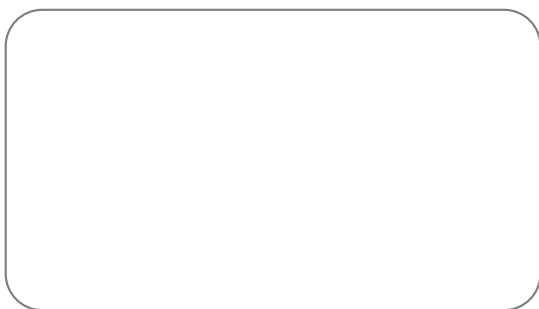
Bix radio remote controls
With individual code, that can not be copied, stored in the EEPROM, 16-million code combinations, rolling code technology. Approved and in compliance with directives.

▶ Regulations

Use only DITEC accessories and safety devices for automation system installation.

DITEC actuators are CE-marked. They are designed and built in compliance with the safety requirements defined in the Machinery Directive (98/37/EC), Electromagnetic Compatibility Directive (89/336/EEC) and Low-Voltage Directive (73/23/EEC). DITEC S.p.A. reserves the right to make any changes whatsoever in order to upgrade its products.

Ditec products are constantly improved. As a consequence, technical data as listed in this leaflet are not to be considered binding. Further information can be found in our technical manuals, available on the website www.ditec.it



DITEC S.p.A.

Via Mons. Banfi, 3 - 21042 Caronno Pertusella (VA) - ITALY
Tel. +39 02 963911 - Fax +39 02 9650314
www.ditec.it - ditec@ditecva.com

DITEC BELGIUM
DITEC DEUTSCHLAND
DITEC FRANCE
DITEC SVIZZERA
DITEC AMERICA

LOKEREN
OBERURSEL
PALAISEAU
MENDRISIO
FT. LAUDERDALE USA
Tel. +32 9 3560051
Tel. +49 6171914150
Tel. +33 1 64532860
Tel. +41 91 6463339
Tel. +1 954 9624505

Fax +32 9 3560052
Fax +49 61719141555
Fax +33 1 64532861
Fax +41 91 6466127
Fax +1 954 9626824

www.ditecbelgium.be
www.ditec-germany.de
www.ditec.fr
www.ditecswiss.ch
www.ditecamerica.com

▶ **Bix 5 - radio remote control holder**
Its elegant design makes it the right complement anywhere: on your car dashboard, on your garage or on your house walls. The radio remote control can easily be placed into its holder and be always available there for you to use.



▶ **Xel 2 infrared photocells**
They allow actuators to operate at the highest safety levels. Suitable for post or surface mounting. Modulated infrared beam.



▶ **Xel 5 key selectors**
High security, vandal-proof device. Suitable for post or surface mounting.



▶ **CS0 rubber safety edges**
They guarantee the highest safety conditions during opening and closing operations in any entrance system.



▶ **Lan 4 digital selectors**
Vandal-proof digital keypad with secret code up to 8 figures.



▶ **LAMP flashing light**
Attractive and elegant design. Available also with surface-mounting support and built-in antenna.



▶ **TEO L wireless digital keypad**
4-channel programmable radio remote control. It provides radio opening of automatic entrances, by means of a code. Suitable for surface mounting.



▶ **LAN 7 proximity access control**
Identification system using transponder technology. Non-contact detection.



ISO 9001
Cert. n° 0957/1