



AUTOMATIC ENTRANCE SPECIALISTS

Silver 1B / 40B



Manuale di installazione e manutenzione per automazioni per cancelli a battente.

Installation and maintenance manual for swing gates.

Manuel d'installation et d'entretien pour portes à battant.

Montage und Wartungshandbuch für Drehflügeltore

Manual para la instalación y la manutención para automatización para cancelas batientes



- I** Impianto tipo
- GB** Standard installation
- F** Installation type
- D** Standard Montage
- E** Instalación tipo

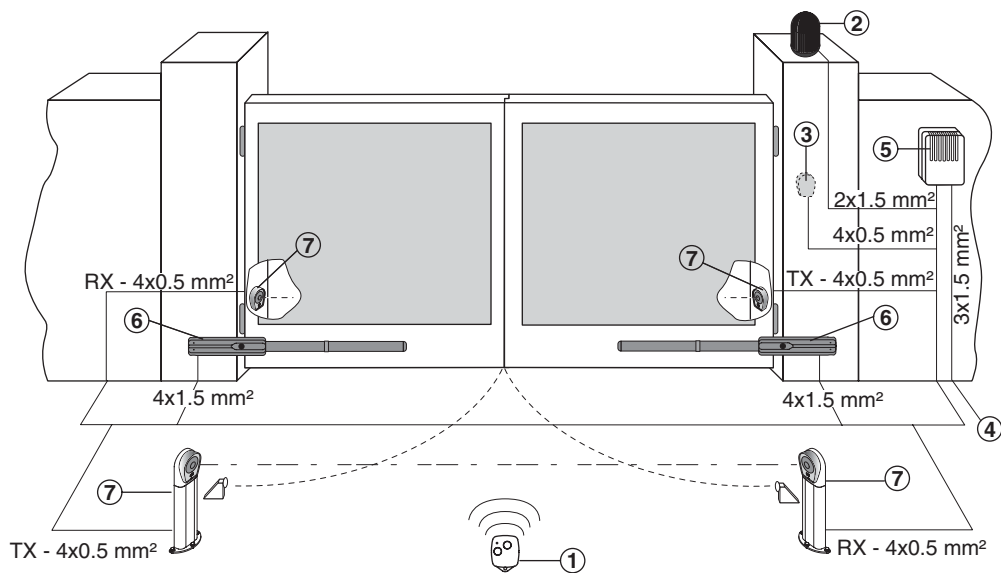


Fig. 1

SILVER PF

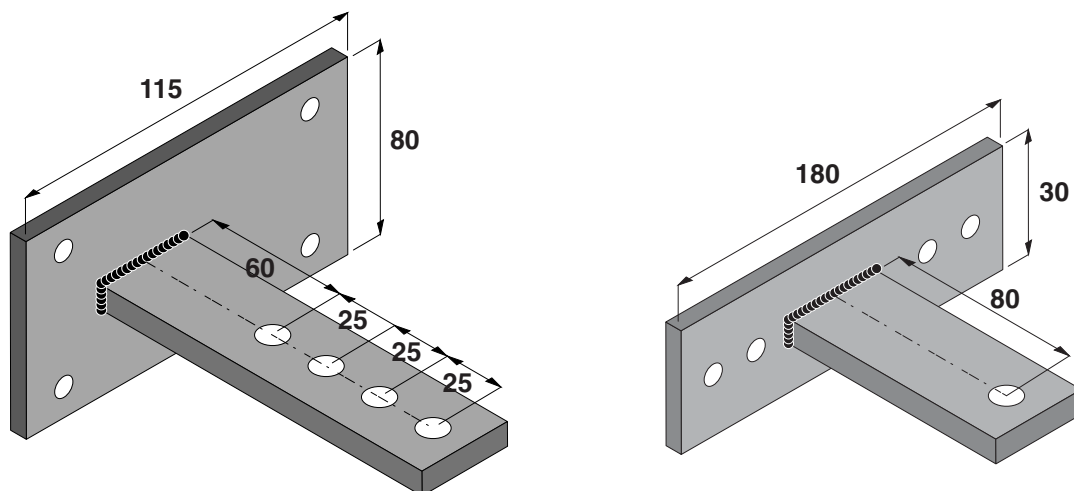


Fig. 2

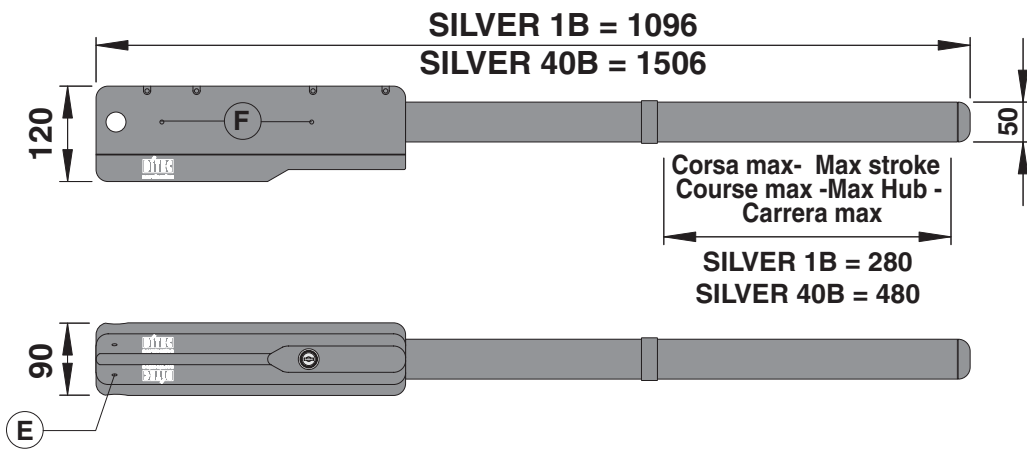


Fig. 3

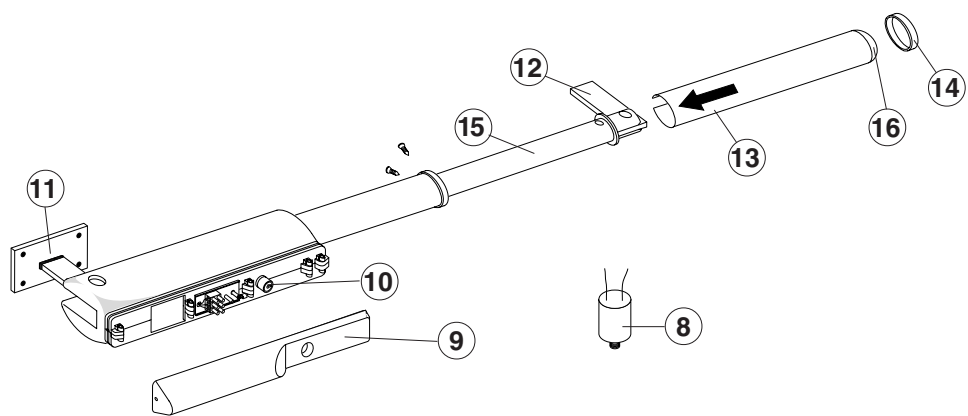


Fig. 4

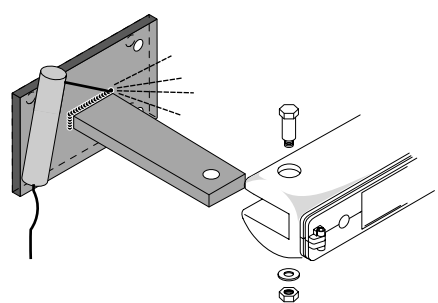


Fig. 5

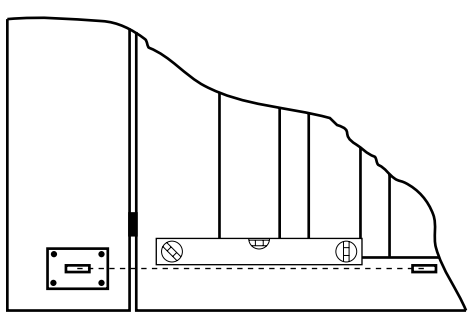


Fig. 6

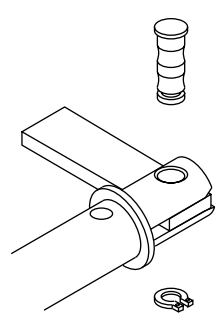


Fig. 7

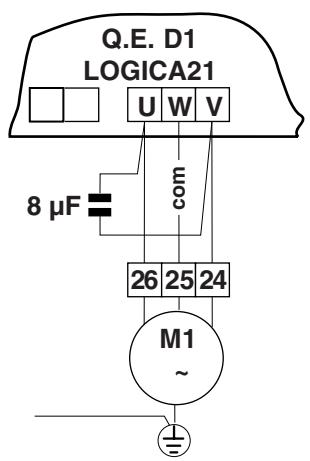


Fig. 8

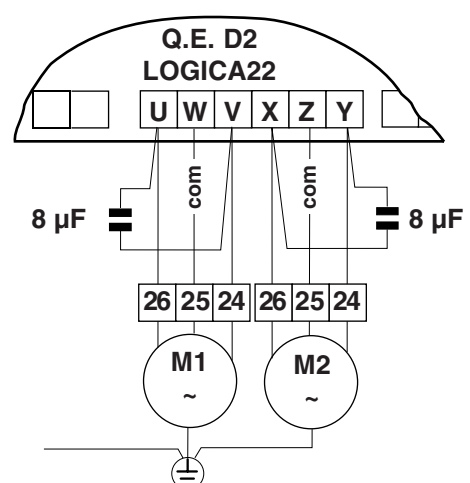
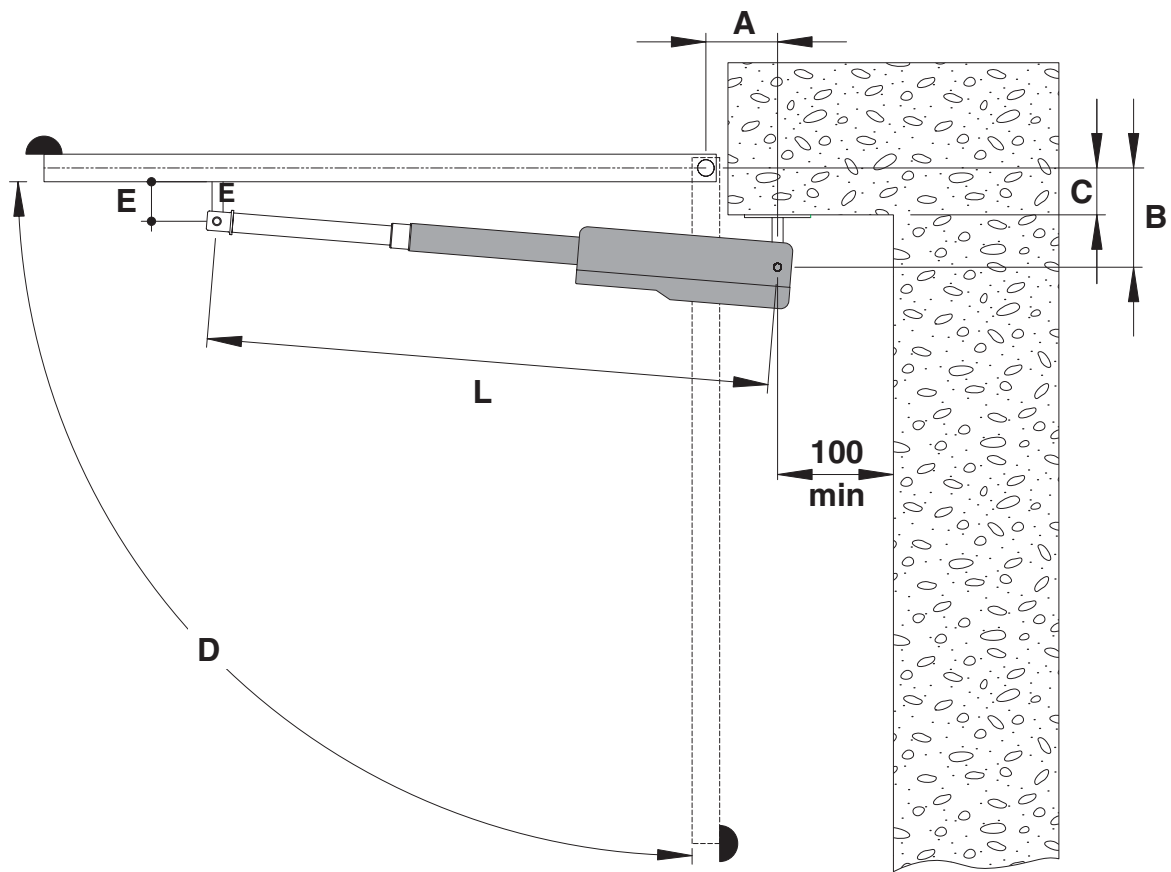


Fig. 9



	A	B	C max (90°)	D	E	L
SILVER 1B	120	120	60	90°	70	1020
	120	100	40	100°	70	1020
SILVER 40B	220	220	160	90°	90	1430
	140	240	180	90°	90	1430
	200	200	140	100°	90	1430
	180	180	120	100°	90	1430
	160	220	160	100°	90	1430
	200	180	120	110°	90	1430
	220	140	80	120°	90	1430

Fig. 10

**GENERAL SAFETY PRECAUTIONS**

This installation manual is intended for professionally competent personnel only.

The installation, the electrical connections and the settings must be completed in conformity with good workmanship and with the laws in force. Read the instructions carefully before beginning to install the product. Incorrect installation may be a source of danger. Packaging materials (plastics, polystyrene, etc) must not be allowed to litter the environment and must be kept out of the reach of children for whom they may be a source of danger. Before beginning the installation check that the product is in perfect condition. Do not install the product in explosive areas and atmospheres: the presence of flammable gas or fumes represents a serious threat to safety.

Before installing the motorisation device, make all the structural modifications necessary in order to create safety clearance and to guard or isolate all the compression, shearing, trapping and general danger areas. Check that the existing structure has the necessary strength and stability. The manufacturer of the motorisation device is not responsible for the non-observance of workmanship in the construction of the frames to be motorised, nor for deformations that may occur during use.

The safety devices (photoelectric cells, mechanical obstruction sensor, emergency stop, etc) must be installed taking into account: the provisions and the directives in force, good workmanship criteria, the installation area, the functional logic of the system and the forces developed by the motorised door or gate.

The safety devices must protect against compression, shearing, trapping and general danger areas of the motorized door or gate.

Display the signs required by law to identify danger areas.

Each installation must bear a visible indication of the data identifying the motorised door or gate.



Before connecting to the mains check that the rating is correct for the destination power requirements.

A multipolar isolation switch with minimum contact gaps of 3 mm must be included in the mains supply.

Check that upstream of the electrical installation there is an adequate differential switch and a suitable circuit breaker.

When requested, connect the motorized door or gate to an effective earthing system carried out as indicated by current safety standards. During installation, maintenance and repair operations, cut off the power supply before opening the cover to access the electrical parts.



The electronic parts must be handled using earthed antistatic conductive arms.

The manufacturer of the motorising device declines all responsibility in cases where components which are incompatible with the safe and correct operation of the product only original spare parts must be used. For repairs or replacements of products only original spare parts must be used. The fitter must supply all information concerning the automatic, the manual and emergency operation of the motorised door or gate, and must provide the user the device with the operating instructions.

It is recommended that antistatic conductive earthed arm bands be worn when manipulating electronic parts.

MACHINERY DIRECTIVE

Pursuant to Machinery Directive (98/37/EC) the installer who motorises a door or gate has the same obligations as the manufacturer of machinery and as such must:

- prepare the technical file which must contain the documents indicated in Annex V of the Machinery Directive; (The technical file must be kept and placed at the disposal of competent national authorities for at least ten years from the date of manufacture of the motorised door);
- draft the EC declaration of conformity in accordance with Annex II-A of the Machinery Directive and to release same to the customer;
- affix the CE marking on the power operated door in accordance with point 1.7.3 of Annex I of the Machinery Directive.

For more information consult the "Technical Manual Guidelines" available on Internet at the following address: <http://www.ditec.it>

DECLARATION BY THE MANUFACTURER

(Directive 98/37/EC, Annex II, sub B)

Manufacturer: DITEC S.p.A.

Address: via Mons. Banfi, 3 - 21042 Caronno Pertusella (VA) - ITALY

Herewith declares that the electromechanical automatic system series SILVER

- is intended to be incorporated into machinery or to be assembled with other machinery to constitute machinery covered by Directive 98/37/EC, as amended;
- is in conformity with the provisions of the following other EEC directives:
 - Electromagnetic Compatibility Directive 89/336/EEC, as amended;
 - Low Voltage Directive 73/23/EEC, as amended;

and furthermore declares that it is not allowed to put the machinery into service until the machinery into which it is to be incorporated or of which it is to be a component has been found and declared to be in conformity with the provisions of Directive 98/37/EC and with national implementing legislation.

Caronno Pertusella, 26/02/1997.

Fermo Bressanini
Fermo Bressanini

APPLICATIONS

Maximum permissible weight and recommended weight: see TECHNICAL DATA

Service life: 3 (minimum 10÷5 years of working life with 30÷60 cycles a day)

Applications: FREQUENT (For vehicle or pedestrian accesses to town houses or small condominiums with frequent use).

Minimum number of consecutive cycles: 20

- Performance characteristics are to be understood as referring to the recommended weight (approx. 2/3 of maximum permissible weight). A reduction in performance is to be expected when the access is made to operate at the maximum permissible weight.
- Service class, running times, and the number of consecutive cycles are to be taken as merely indicative having been statistically determined under average operating conditions, and are therefore not necessarily applicable to specific conditions of use. During given time spans product performance characteristics will be such as not to require any special maintenance.
- The actual performance characteristics of each automatic access may be affected by independent variables such as friction, balancing and environmental factors, all of which may substantially alter the performance characteristics of the automatic access or curtail its working life or parts thereof (including the automatic devices themselves). When setting up, specific local conditions must be duly borne in mind and the installation adapted accordingly for ensuring maximum durability and trouble-free operation.

All right reserved

All data and specifications have been drawn up and checked with the greatest care. The manufacturer cannot however take any responsibility for eventual errors, omissions or incomplete data due to technical or illustrative purposes

1 TECHNICAL DATA	SILVER 1B	SILVER 40B
Power supply	230 V~ 50 Hz	230 V~ 50 Hz
Absorption	1.1 A	1.1 A
Motor power	180 W	180 W
Geared motor torque	3000 N	3000 N
Speed	22 s / 90°	38 s / 90°
Jogging	S2=15min,S3=25%	
Temperature	-15 °C / +50 °C	
Degree of protection	IP45	
Applications	<div style="display: flex; justify-content: space-around;"> <div style="text-align: center;"> </div> <div style="text-align: center;"> </div> </div>	

2. REFERENCE TO ILLUSTRATIONS

2.1 Standard installation references (fig. 1)

ATTENTION: Only use DITEC's safety devices and accessories for installation.

- | | | |
|--------------------|---|--------------------|
| [1] Radio | [4] Connect power supply to an type-approved omnipole switch with a contact opening gap of no less that 3 mm (not supplied by us) | [5] electric board |
| [2] Flashing light | | [6] Geared motor |
| [3] Key selector | | [7] Photocells |

2.2 Accessories (fig. 2): SILVER PF Plates with anchoring brackets for weld-free mounting

2.3 Geared motor references (fig. 4)

- | | | |
|---------------|-------------------|--------------------------|
| [8] Condenser | [11] Tail bracket | [14] Screw covering ring |
| [9] Cover | [12] Head bracket | [15] Piston rod |
| [10] Release | [13] Shaft cover | [16] Plug |

3. INSTALLATION

3.1 Preliminary checks

Check that the structure is sufficiently sturdy and that the hinge pivots are properly lubricated. Provide an opening and closing stop.

Attention: SILVER 1B can only be installed if distance C is less than 60 mm (see Fig. 10)

3.2 Installing the geared motor

- Remove the geared motor from its package. **Attention:** Cover [9] is not secured.
 - Position tailplate [11] on to the pillar to check installation measurements (see Figs. 10) and secure.
- Note:** The installation measurements given in the table in Figure 10 permit to select the values for [A] and [B] according to the desired opening angle and with reference to existing room and spaces. **Compliance with the measurement given in the table is recommended.** In order to ensure smooth gate movement, check that measurements [A] and [B] are the same. Increasing [A] reduces the coming up speed during opening. Increasing [B] diminishes the coming up speed during closing and improves burglar-proofing. Reducing [B] increases the extent of gate opening. Measurements [A] and [B] must in any case be compatible with the useful travel of the piston so that; if [A] is increased, [B] must be diminished and vice versa.
- Mount the piston on tail bracket [11] (see Fig. 5).
 - Pull piston drive shaft [15] out to its full length and shorten it of approx. 20 mm (see dimension L of fig 10).
 - When the gate is completely closed, position the head bracket in proximity to the attachment of the piston. Check that head and tail brackets are perfectly level (see Fig. 6). Secure the head bracket to the gate.
 - Secure the piston to the head bracket (see Fig. 7).
 - Fit and secure shaft cover [13] on to the drive shaft by means of the screws provided (before fitting, greasing of the inside of the shaft cover with a thin film of grease is recommended).
 - Release the piston (see operating instructions).
 - Manually move the gate to check for free and smooth movement.
 - Fit in the screw covering ring [14] and the plug (securing of plug to shaft cover by means of silicone gel is advisable).
 - Seal off the two top holes [F] of the half casing by means of the two plugs provided (or with silicone gel) (see Fig. 3).
- Attention: Check that the two bottom holes of the half-casing are not clogged thus preventing water to drain off properly.**

4. ELECTRICAL CONNECTIONS

Drill a hole in cover [9] in correspondence with [E] (facing downwards) to route the cable (see Fig. 3).

Attention: Cable must be secured by means of a cable fitting (not supplied).

The SILVER 1B/40B geared motors can be connected to electric panels D1, D2, LOGIC A21, LOGIC A22. Connect the geared motors SILVER 1B / 40B as shown in fig. 8 (1 wing) other in fig. 9 (2 wings).

5. MAINTENANCE PROGRAM (each 6 month)

Power off (230 V~ mains and batteries, if installed):

- Clean and lubricate the pivot pins.
- Check that fastening points are properly tightened.

Power on (230 V mains and batteries, if installed):

- Check the power adjustments.
- Check the operation of all command and safety functions (photocells).
- Check the good operation of the release.

ATTENTION: For spare parts, see the spares price list.

TEAR OFF AND DELIVER TO USER



DITEC

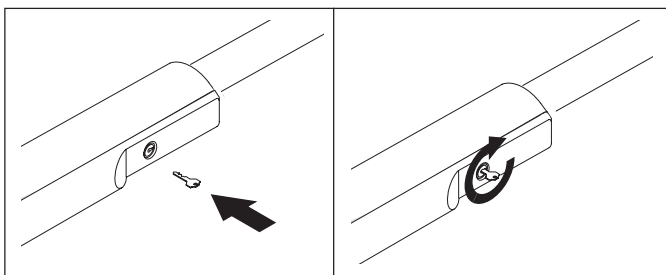
AUTOMATIC ENTRANCE SPECIALISTS

Operating instruction SILVER 1B / 40B



Electromechanical automatic system for swing gates.

ENGLISH



RELEASE INSTRUCTION

In case of faulty operation or power failure, insert and rotate the key clockwise. Unlock the electric lock, if mounted. Manually slide the gate open.

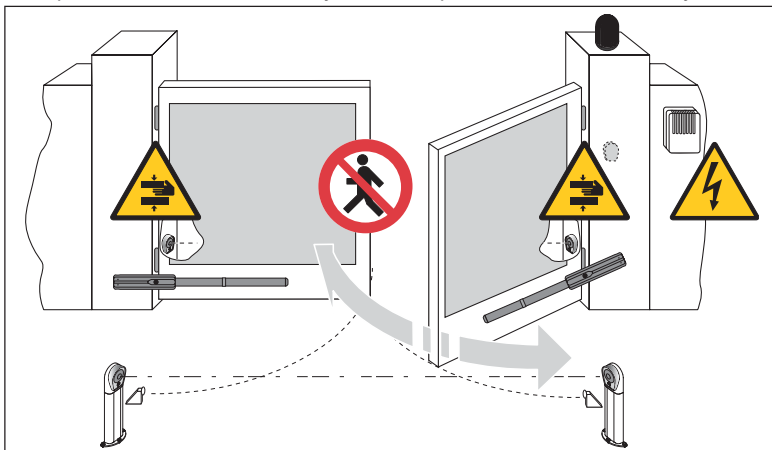
To relock the wings, turn the key anticlockwise.

Attention: Lock and release operations must be performed with motor not running.



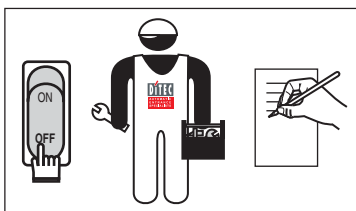
GENERAL SAFETY PRECAUTIONS

The following precautions are an integral and essential part of the product and must be supplied to the user. Read them carefully as they contain important indications for the safe installation, use and maintenance. These instruction must be kept and forwarded to all possible future user of the system. This product must be used only for that which it has been expressly designed. Any other use



is to be considered improper and therefore dangerous.

The manufacturer cannot be held responsible for possible damage caused by improper, erroneous or unreasonable use. Avoid operating in the proximity of the hinges or moving mechanical parts. Do not enter the field of action of the motorised door or gate while in motion. Do not obstruct the motion of the motorised door or gate as this may cause a situation of danger. Do not allow children to play or stay within the field of action of the motorised door or gate.



Keep remote control or any other control devices out of the reach of children, in order to avoid possible involuntary activation of the motorised door or gate. In case of break down or malfunctioning of the product, disconnect from mains, do not attempt to repair or intervene directly and contact only qualified personnel. Failure to comply with the above may create a situation of danger.

All cleaning, maintenance or repair work must be carried out by qualified personnel.

In order to guarantee that the system works efficiently and correctly it is indispensable to comply with the manufacturer's indications thus having the periodic maintenance of the motorised door or gate carried out by qualified personnel.

In particular regular checks are recommended in order to verify that the safety devices are operating correctly.

All installation, maintenance and repair work must be documented and made available to the user.

DITEC S.p.A.

Via Mons. Banfi, 3

21042 Caronno P.la (VA) Italy

Tel. +39 02 963911 - Fax +39 02 9650314

www.ditec.it



ISO 9001 - Cert. n° 0957/1

Installer:



CARONNO P.LLA - VA
QUARTO D'ALTINO - VE



ISO 9001

Cert. n° 0957/1

DITEC S.p.A.

Via Mons. Banfi, 3

21042 Caronno P.la (VA) Italy

Tel. +39 02 963911 - Fax +39 02 9650314

www.ditec.it