



**AUTOMATIC ENTRANCE SPECIALISTS**

CE

**FACIL**

IP1827 - rev. 2007-05-30

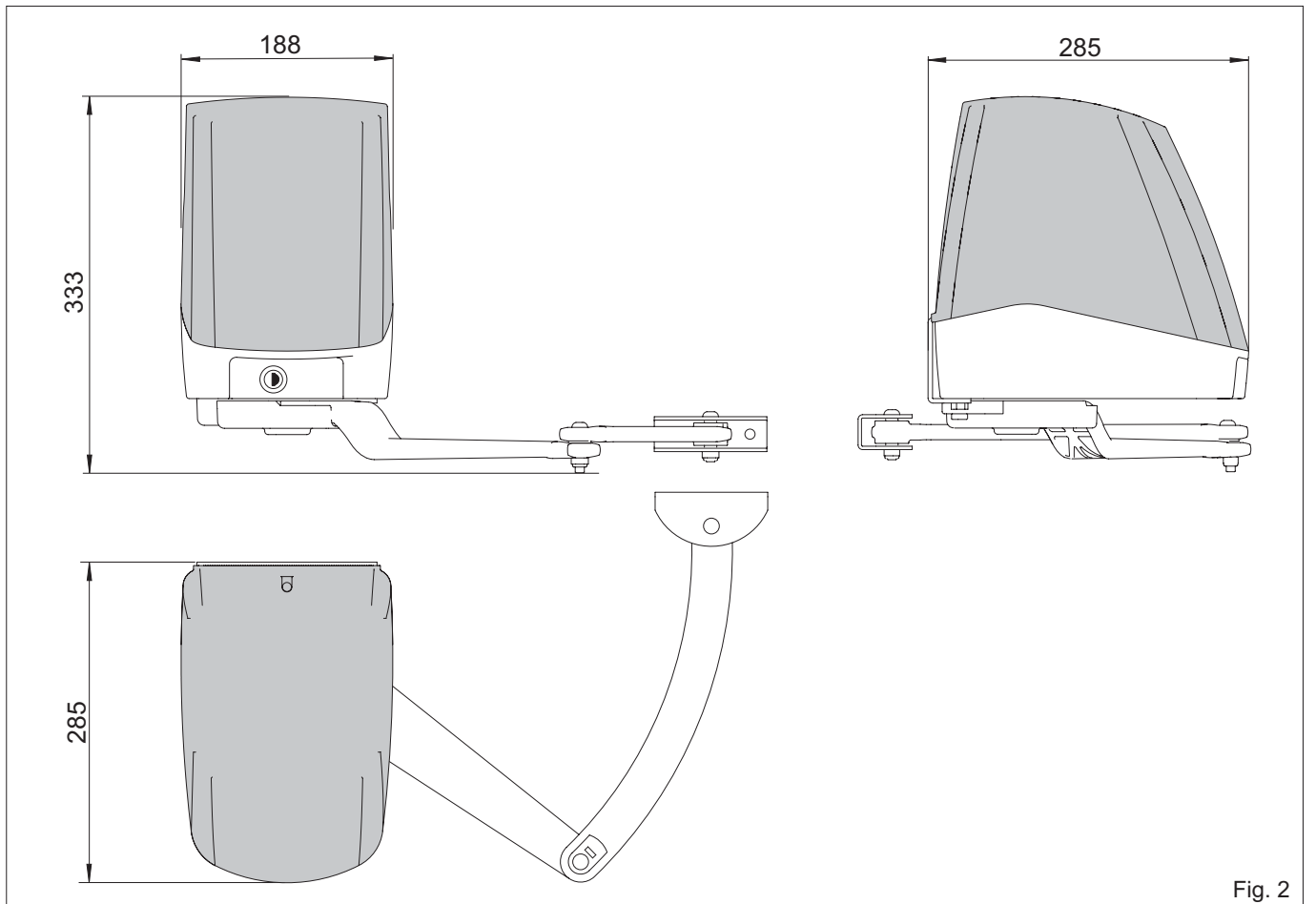
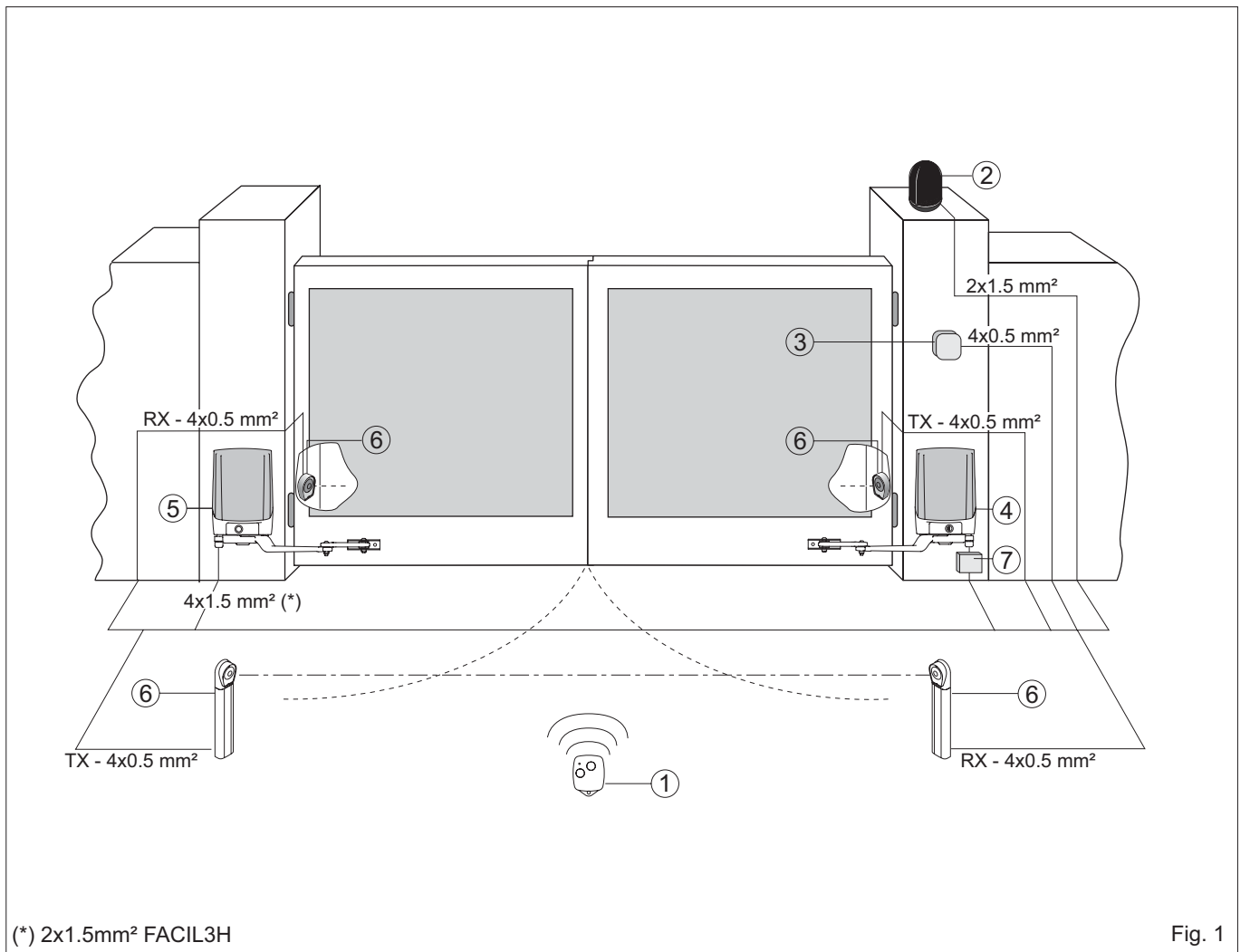


- ① Manuale di installazione e manutenzione per automazioni per cancelli a battente.
- ② Installation and maintenance manual for swing gates.
- ③ Manuel d'installation et d'entretien pour portes à battant.
- ④ Montage und Wartungshandbuch für Drehtore.
- ⑤ Manual para la instalación y la manutención para automatización para cancelas batientes.
- ⑥ Manual de instalação e manutenção para portões de balanço.



DITEC S.p.A.  
Via Mons. Banfi, 3 - 21042 Caronno Pertusella (VA) - ITALY  
Tel. +39 02 963911 - Fax +39 02 9650314  
[www.ditec.it](http://www.ditec.it) - [ditec@ditecva.com](mailto:ditec@ditecva.com)

ISO 9001  
Cert. n° 0957



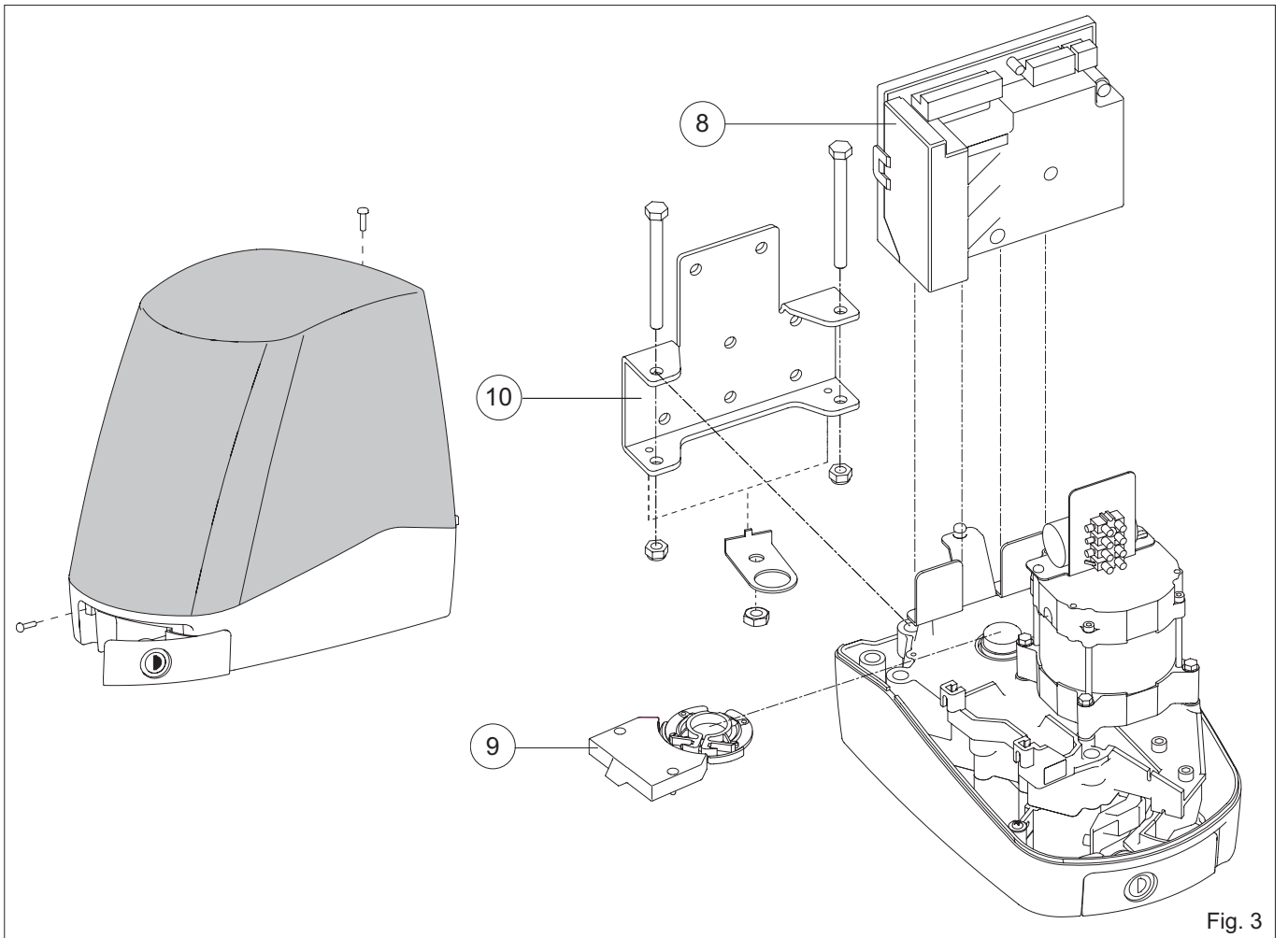


Fig. 3

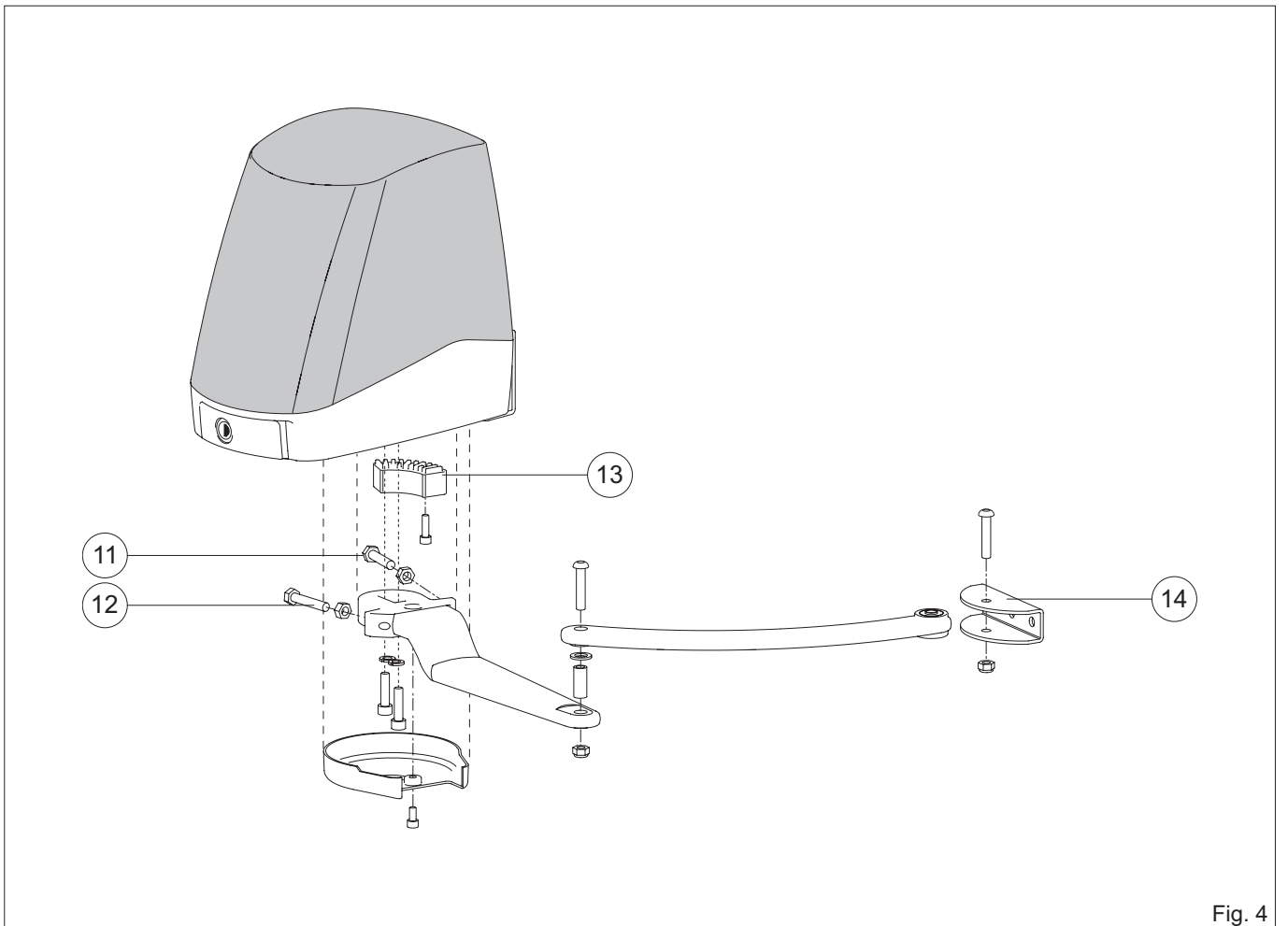


Fig. 4

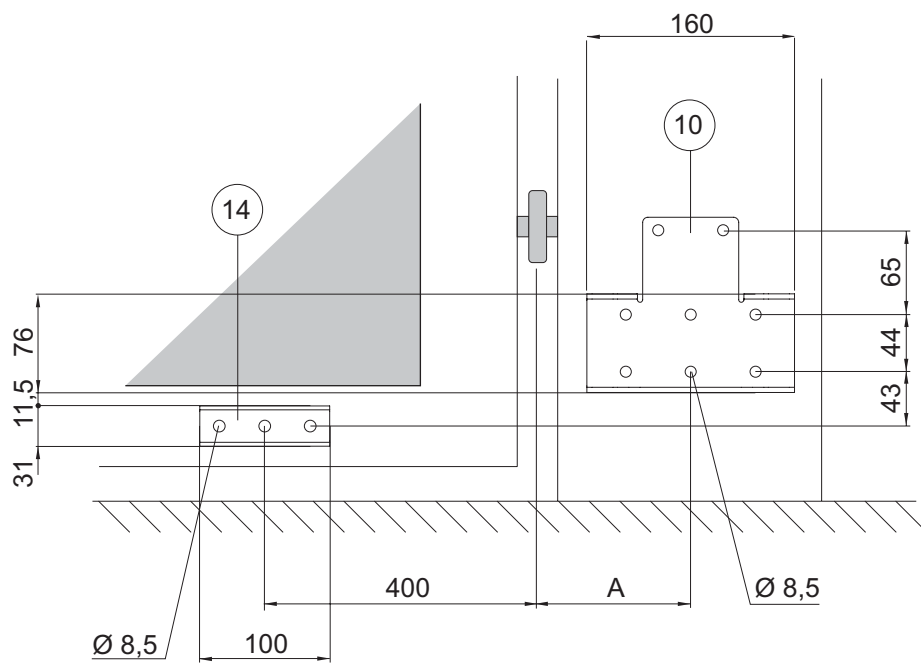
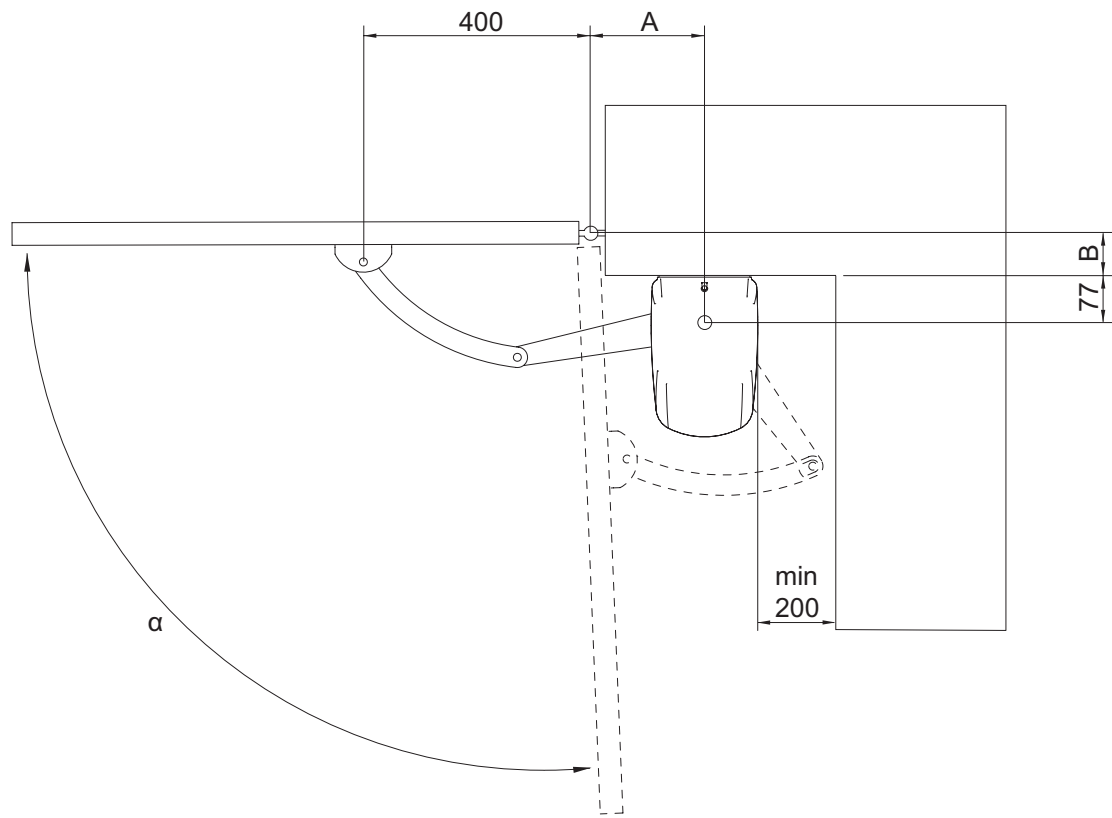
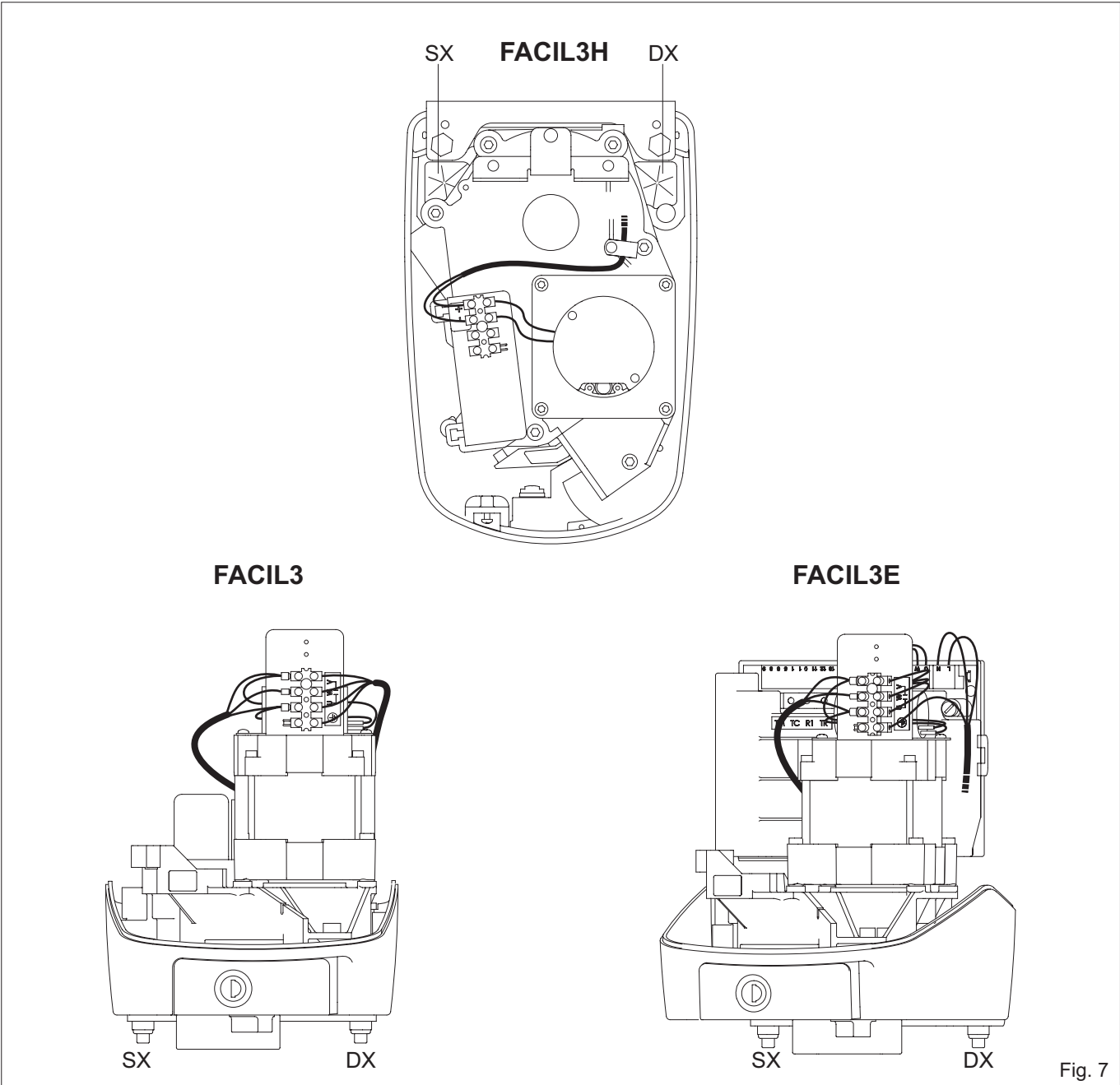
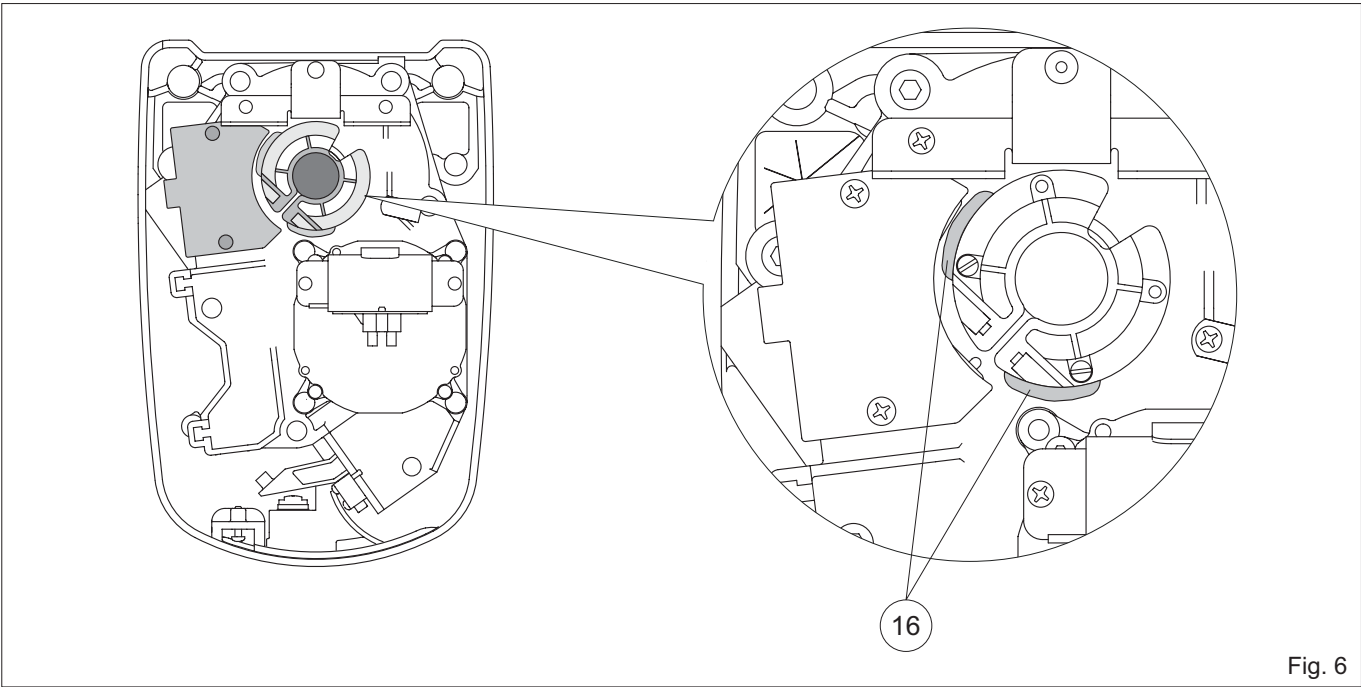



Fig. 5

$\alpha$		A (mm)								
		120	130	140	150	160	170	180	190	200
B (mm)	0	90°	90°	95°	95°	100°	100°	105°	105°	110°
	50	90°	90°	95°	95°	95°	95°	95°	95°	95°
	100	90°	90°	90°	90°	90°	90°	90°	90°	/
	150	90°	90°	90°	90°	90°	90°	90°	/	/
	200	90°	90°	90°	90°	90°	/	/	/	/





## GENERAL SAFETY WARNINGS

 This installation manual is intended for professionally competent personnel only.


Installation, electrical connections and adjustments must be performed in accordance with Good Working Methods and in compliance with the present standards.

Read the instructions carefully before installing the product.


Bad installation could be dangerous. The packaging materials (plastic, polystyrene, etc.) should not be discarded in the environment or left within reach of children, as these are a potential source of danger. Before installing the product, make sure it is in perfect condition.

Do not install the product in an explosive environment and atmosphere: the presence of flammable gas or fumes represents a serious safety hazard. Before installing the motorisation device, make all the necessary structural modifications in order to create safety clearance and to guard or isolate all the crushing, shearing, trapping and general danger areas.

Make sure the existing structure is up to standard in terms of strength and stability. The motor manufacturer is not responsible for failure to observe Good Working Methods in building the frames to be motorised or for any deformation occurring during use. The safety devices (photocells, safety edges, emergency stops, etc.) must be installed taking into account: applicable laws and directives, Good Working Methods, installation premises, system operating logic and the forces developed by the motorised door or gate. The safety devices must protect against crushing, cutting, trapping and general danger areas of the motorised door or gate. Display the signs required by law to identify danger areas. Each installation must bear a visible indication of the data identifying the motorised door or gate.

 Before connecting the power supply, make sure the rating corresponds to that of the mains power supply.

An omnipolar switch must be installed on the mains power supply with a contact opening equal to or greater than 3 mm. Ensure that a differential switch and an adequate overcurrent protection is fitted before the system. When requested, connect the motorised door or gate to an effective earthing system carried out as indicated by current safety standards. During installation, maintenance and repair operations, cut off the power supply before opening the cover to access the electrical parts.

 The electronic parts must be handled using earthed anti-static conductive arms.

The manufacturer of the motorisation declines all responsibility in the event of component parts being fitted that are not compatible with the safe and correct operation.

Use original spare parts only for repairs or replacements of products.

The installer must supply all information concerning the automatic, manual and emergency operation of the motorised door or gate, and must provide the user with the operating instructions.

## MACHINE DIRECTIVE

Pursuant to Machine Directive (98/37/EC) the installer who motorises a door or gate has the same obligations as the manufacturer of machinery and as such must:

- prepare the technical file which must contain the documents indicated in Annex V of the Machinery Directive; (The technical file must be kept and placed at the disposal of competent national authorities for at least ten years from the date of manufacture of the motorised door);
- draw up the EC Declaration of Conformity in accordance with Annex II-A of the Machine Directive;
- affix the EC marking on the motorised door in accordance with point 1.7.3 of Annex I of the Machine Directive.

For more information consult the "Technical Manual Guidelines" available on Internet at the following address: [www.ditec.it](http://www.ditec.it)

## APPLICATIONS

**Service class: 3** (minimum 10÷5 years of working life with 30÷60 cycles per day)

**Applications: FREQUENT** (for multiple family type entrances or small apartment blocks with vehicle or frequent pedestrian access).

- Performance characteristics are to be understood as referring to the recommended weight (approx. 2/3 of maximum permissible weight). When used with the maximum permissible weight a reduction in the above mentioned performance can be expected.
- Service life, running times, and the number of consecutive cycles are to be taken as merely indicative Having been statistically determined under average operating conditions, and are therefore not necessarily applicable to specific conditions of use. During given time spans product performance characteristics will be such as not to require any special maintenance.
- Each automatic entrance has variable elements such as: friction, balancing and environmental factors, all of which may substantially alter the performance characteristics of the automatic entrance or curtail its working life or parts thereof (including the automatic devices themselves). The installer should adopt suitable safety conditions for each particular installation.

## MANUFACTURER'S DECLARATION

(Directive 98/37/EC, Annex II, sub B)

Manufacturer: DITEC S.p.A.

Address: via Mons. Banfi, 3 - 21042

Caronno P.IIa (VA) - ITALY

Declares that the automation system for FACIL series swing gates

- is intended to be incorporated into machinery or to be assembled with other machinery to constitute machinery covered by Directive 98/37/EC;
- is in conformity with the provisions of the following additional EC directives:  
Electromagnetic Compatibility Directive 89/336/EEC;  
Low Voltage Directive 73/23/EEC;

and furthermore declares that it is not allowed to put the machinery into service until the machinery into which it is to be incorporated or of which it is to be a component has been found and declared to be in conformity with the provisions of Directive 98/37/EC and with national implementing legislation.

Caronno Pertusella,  
29-03-2006

Fermo Bressanini  
*Bressanini*  
(President)

## 1. TECHNICAL DATA

	FACIL3	FACIL3E	FACIL3H
Power supply	230 V~ / 50 Hz	230 V~ / 50 Hz	24 V=
Absorption	1,2 A	1,2 A	8 A
Torque	240 Nm	240 Nm	200 Nm
Opening time	22 s / 90°	22 s / 90°	12 + 32 s / 90°
Service life	3 - FREQUENT	3 - FREQUENT	3 - FREQUENT
Intermittence	S2 = 15 min S3 = 25%	S2 = 15 min S3 = 25%	S2 = 30 min S3 = 50%
Temperature	-20° C / +55° C	-20° C / +55° C	-20° C / +55° C
Degree of protection	IP54	IP54	IP54
Control panel	E2	E2 (incorporated)	VIVAH
Applications m = leaf width kg = leaf weight			
<div style="display: flex; align-items: center; gap: 10px;"> <div style="width: 15px; height: 15px; background-color: green; border: 1px solid black;"></div> Recommended dimensions         </div> <div style="display: flex; align-items: center; gap: 10px;"> <div style="width: 15px; height: 15px; background-color: yellow; border: 1px solid black;"></div> Limit dimensions         </div>			

## 2. ILLUSTRATIONS REFERENCES

The given operating and performance features can only be guaranteed with the use of DITEC accessories and safety devices.

### 2.1 Standard installation references (fig. 1)

- [1] Radio
- [2] Flashing light
- [3] Key selector switch
- [4] FACIL3E (gearmotor and control panel)  
Connect the power supply to an omnipolar switch with a contact opening distance of at least 3 mm (not supplied) protected against inadvertent or non-authorized activation.
- [5] FACIL3 (gearmotor only)
- [6] Photocells
- [7] Connector block (not supplied)

### 2.2 Gearmotor references (fig. 3)

- [8] Control panel (type E2)
- [9] BOXFC1 limit switch (optional)

### 2.3 Accessories

- BATK2** Battery Kit (FACIL3H only)
- BOXFC1** Limit switch

## 3. INSTALLATION

Unless otherwise specified, all measurements are expressed in millimetres (mm).

### 3.1 Preliminary checks

Check that the structure of the gate is sturdy and that the hinges are lubricated.  
Check the installation measurements as indicated in the table of fig. 5.

### 3.2 Gearmotor installation

- Securely fix the fastening plate [10] to the gate pillar and the arm retention bracket [14] to the leaf as indicated in fig. 5.
- Remove the lid and fit the gearmotor to the fastening plate [15] as indicated in fig. 3.
- Release the gearmotor (see use instructions).
- Fix the articulated arms and the arm retention bracket as indicated in fig. 4.
- The arm articulations must be lubricated and the screws sufficiently tightened so that they do not impede the movement of the arms.
- If necessary adjust screws [11] and [12] on the stop [13] positioning the leaf in the closed and open position as indicated in fig. 4.

### 3.3 Limit switch installation and adjustment

- Install the BOXFC1 limit switches as indicated in fig. 6 and referring to the related manual.  
Adjust the activation of the limit switches by moving the sliding blocks [16].
- Make the electrical connections referring to the examples in the E2 or VIVAH control panel manual.



#### 4. ELECTRICAL CONNECTIONS

The electrical connections and starting of the FACIL3-3E gearmotor are illustrated in the E2 control panel installation manual.

*Note: the FACIL3E gearmotor has an incorporated E2 type control panel. A connection box should ideally be used for the electrical connections of the system.*

The electrical connections and starting of the FACIL3H gearmotor are illustrated in the VIVAH control panel installation manual.

#### 5. MAINTENANCE SCHEDULE (every 6 months)

Without 230 V~ power supply and batteries if present:

- Clean and lubricate the gate's rotation pins and hinges with neutral grease.
- Check the resistance of the fixing points.
- Check the value of the capacity of the motor condenser.

Reconnect the 230 V~ power supply and batteries if present:

- Check the power adjustment.
- Check that all commands and safety functions are operating correctly (photocells).
- Check that the release system is working correctly.
- Check that the batteries are working correctly (in continuity) if the VIVAH control panel with BATK2 battery kit is present, by switching off the power supply and performing several manoeuvres. Once performed, turn on the 230 V~ power supply again.

*WARNING: For spare parts, see the spares price list.*

#### **All right reserved**

All data and specifications have been drawn up and checked with the greatest care. The manufacturer cannot however take any responsibility for eventual errors, omissions or incomplete data due to technical or illustrative purposes.

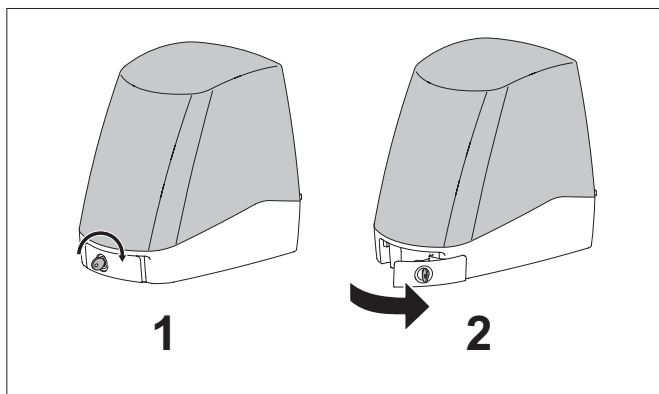
**RELEASE INSTRUCTIONS**

In the event of a fault or a power failure, introduce the key, turn it clockwise and fully open the hatch. Manually open the gate. To lock the gate again, close the hatch, turn the key anti-clockwise and remove the key.


*Warning: the gate lock and release operations must be performed with the motor idle. Do not enter within the operating range of the leaf.*

*Note: (FACIL3H only) to turn off the automation the power supply and batteries (if present) must be disconnected.*

*Warning: when the hatch is closed but the key is still horizontal, the release microswitch is open and all manoeuvres are prevented.*



**GENERAL SAFETY WARNINGS**

 The following warnings are an integral and essential part of the product and must be supplied to the user. Read them carefully as they contain important indications for the safe installation, use and maintenance. These instruction must be kept and forwarded to all possible future user of the system.

This product must be used only for that which it has been expressly designed. Any other use is to be considered improper and therefore dangerous. The manufacturer can not be held responsible for possible damage caused by improper, incorrect or unreasonable use. Avoid operating in the proximity of the hinges or moving mechanical parts. Do not enter within the operating range of the gate while it is moving.

Do not obstruct the motion of the motorised door or gate as this may cause a dangerous situation. Do not allow children to play or stay within the operating range of the motorised door or gate. Keep remote controls or any other control devices out of the reach of children, in order to avoid possible involuntary activation of the motorised door or gate.

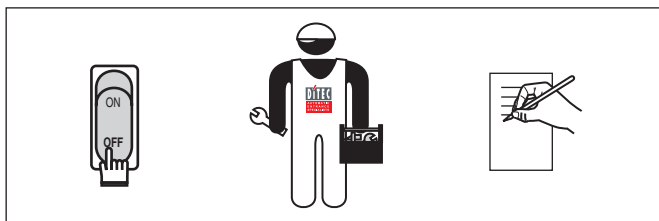
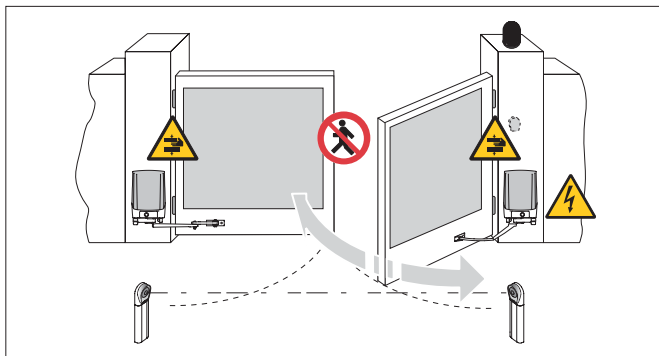
In the event of fault or malfunctioning of the product, turn off the power supply switch, do not attempt to repair or intervene directly and contact only qualified personnel.

Failure to comply with the above may cause a dangerous situation.

All cleaning, maintenance or repair work must be carried out by qualified personnel.

In order to guarantee that the system works efficiently and correctly, it is indispensable to comply with the manufacturer's indications thus having the periodic maintenance of the motorised door or gate carried out by qualified personnel.

In particular, regular checks are recommended in order to verify that the safety devices are operating correctly. All installation, maintenance and repair work must be documented and made available to the user.



TEAR OFF AND DELIVER TO USER



DITEC S.p.A.  
Via Mons. Banfi, 3  
21042 Caronno Pertusella (VA) - ITALY  
Tel. +39 02 963911 - Fax +39 02 9650314  
www.ditec.it - ditec@ditecva.com

Installer: